

Hobs

Introducing our brand new range of fully co-ordinated appliances. Good looking on their own and fabulous together, they're not labelled **iQ** for nothing!

Eye-catching design is at the heart of our hobs. Razor sharp looks and style harmonize with an array of cutting edge and easy to use functions and benefits. Now, our hobs are part of Siemens' brand new **iQ** range.

One of the major driving forces behind the creation of Siemens' brand new **iQ** range was to offer the customer the ability to achieve seamless design co-ordination between appliances. So the range comes in four distinct variants: **iQ 100**, **iQ 300**, **iQ 500** and **iQ 700**, that covers almost every kitchen appliance we make. With all the pieces designed to combine effortlessly with each other.

iQ 100

The range

Typical Siemens style and build quality, offering exceptional value.

iQ 300

The range

Good-looking mid-range appliances equipped with an attractive selection of smart features.

iQ 500

The range

Oozing class and refinement, these machines unite first-class features with top-class technology.

iQ 700

The range

Radical design allied with seriously innovative technology is the basis of these, our premium models.



All our ceramic and induction hobs have several common features and benefits.

We have a number of hobs that come with a range of different finishes, sophisticated controls and intelligent functions to help make cooking a true pleasure.

Different trims

The benefits of the all around trim is the protection it offers the hob, and the fact it retains any spillage when cooking.



Flush fit design

The flush fitting design on our 60cm and 80cm wide ceramic and induction hobs is such that when installed, the ceramic surface is flush with the surrounding worktop. They can be installed into work surfaces such as natural stone (e.g. granite), or tiled surfaces.



Facetted front edge design

With surface level styling, the front of these ceramic hobs has a stunning black glass angled front edge with elegant brushed stainless steel side trims for that stylish look in the kitchen.



Bevel design

Frameless bevelled design. Designed to be elegantly surface mounted without any frame or trim. Instead the front and sides have been machine-bevelled front to create a high quality finish.



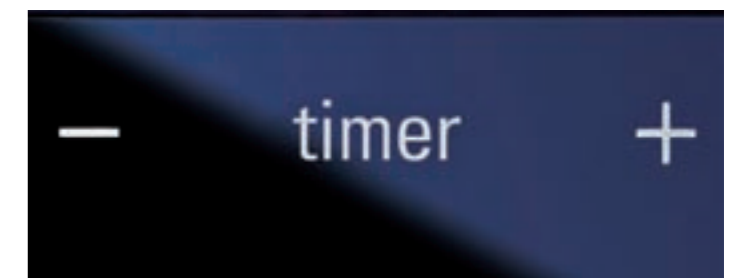
One touch is all it takes

Our unique metal touchSlider hobs require the lightest of touches. Whether your hands are too hot, too cold or caked with ingredients, this sophisticated pressure technology never fails to deliver.



Timer

Most Siemens hobs feature a timer that can be used in 2 ways: as an independent timer (that sounds a signal at the end of the cooking time) or it can also be set to automatically switch off the cooking zone at the end of the cooking time.



Residual heat indicators

Most models feature a two-stage residual heat indicator for each cooking zone – an LED that shows 'H' when the zones are above 50°C, and 'h' when they're below 50°C. This is perfect for keeping food warm, or for slowly finishing off cooking.



Number of power levels

Most models feature a variable 17-stage electronic temperature display that offers you complete control over your cooking from a low simmer to a rapid boil.

The **design** of our hobs is as important as their function.



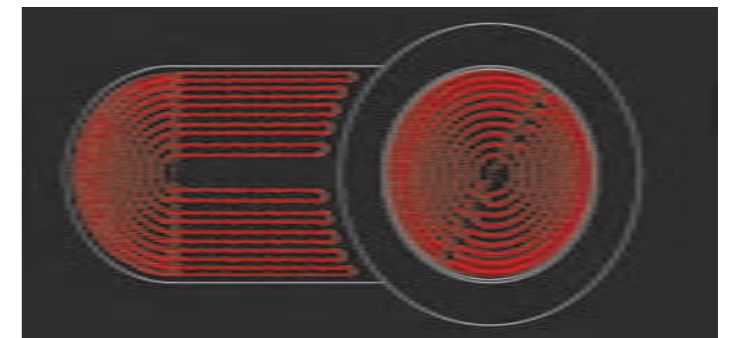
Different width sizes available, including compatibility with Siemens domino hobs

Domino modular hobs enable you to design your own cooking centre. Using a combination of gas, induction or quick-lite ceramic, wok-burner, teppan yaki or BBQ grill. These units can be built in separately, combined together or linked to full size ceramic and gas ceramic hobs of the same styling for the ultimate cooking centre. You choose where they fall into place.

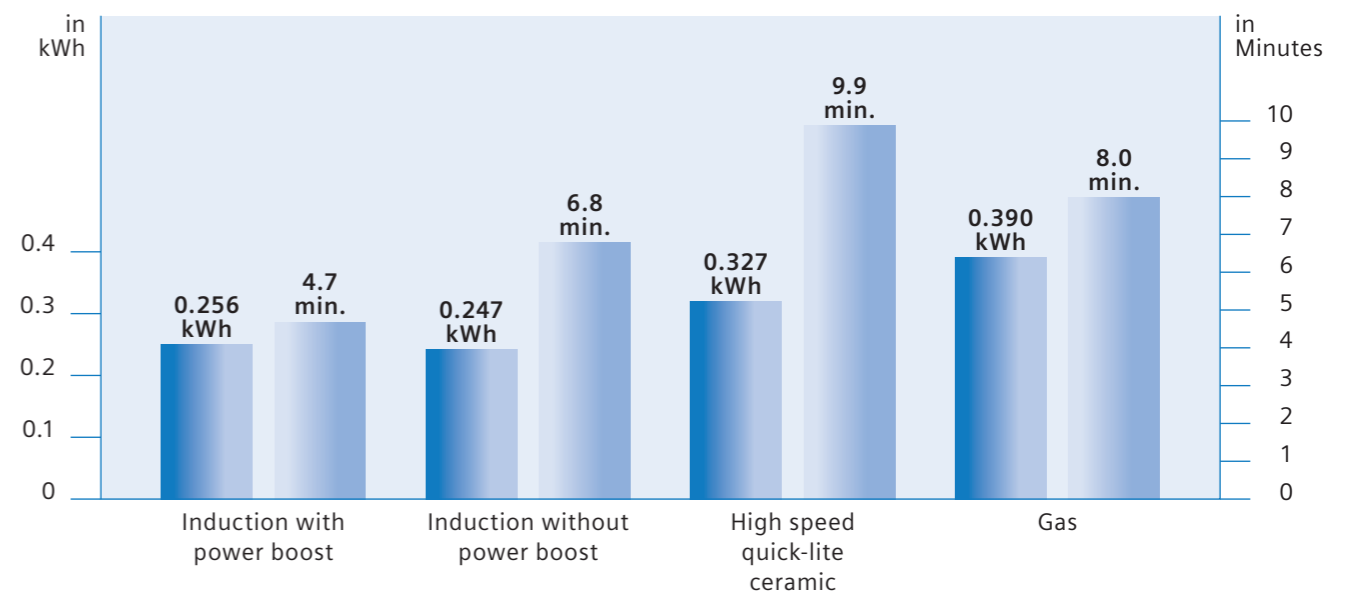


Variety of cooking zones available

Extendable cooking zones allow the cooking area to be extended or reduced to accommodate large items (like a fish kettle and larger saucepans) or smaller pans (like an asparagus pan).



Comparison of energy consumption and heating up times when heating 2 litres of water from 15°C to 90°C



Energy efficiency

Induction zones only produce heat where it is needed and deliver it extremely quickly. This means induction zones use significantly less energy when compared to traditional gas and electric zones.



A Siemens hob wouldn't be a Siemens hob if it didn't take advantage of the latest technology and innovations.

Siemens sensor hob EH675ME31E precisely controls the cooking temperature within a few degrees. An infra-red sensor on the retractable columns at the rear of the hob monitors the two rear zones, measuring the temperature of the contents of the pans and relaying the information back to the hob's electronics so the temperature can be accurately maintained. Normal pans can be used with the special pan stickers supplied.

Regulation is through five temperature levels, rather than the typical 17 power levels. These are considered more efficient, as they cover what is needed for the most commonly prepared food types.

Because the temperature is precisely controlled the benefits are: safer cooking results – no boiling over, overcooking, burning or oil overheating; energy saving – only supplies the energy needed. Plus, if you cook with a lid on the pan, you can save as much as 80% of the energy used cooking without a lid.

Frying sensor

The frying sensor – located under the glass on the front two cooking zones of the EH675ME31E – when used with the special Siemens pan accessory Z390230 monitors the two front zones, measuring the temperature of the contents of the pan.

Regulation is through four temperature levels and covers the most commonly prepared fried food types: minimum setting (e.g. omelette), low (e.g. fish, meatballs, burgers), medium (e.g. breaded items, vegetables, pancakes), maximum (potatoes, frying steak).

Because the temperature is precisely controlled within a few degrees, the benefits are: safer results – no overcooking, burning or oil over heating, no smoking pans and no damage to non-stick pan coatings that higher temperatures can cause; energy saving – by supplying just the right amount of energy needed.

It also offers you 9 preset programmes. If you don't know what the optimum temperature is for a specific food type, just select the preset programme. Programmes include those for chicken breast, steak, fish, fried vegetables, eggs, etc.

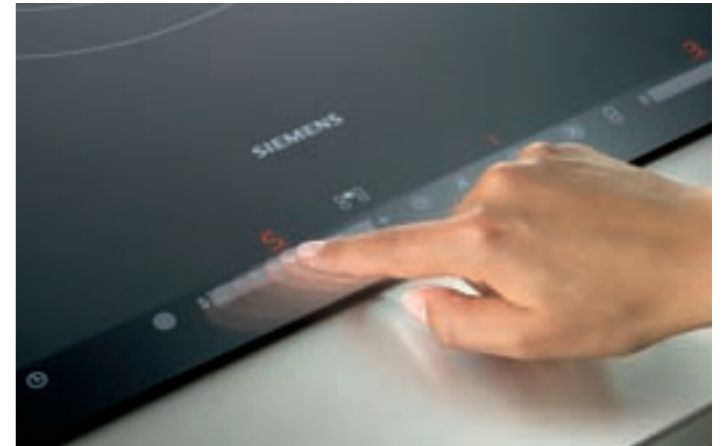
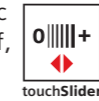


Innovative touchSlider control

This is unique to Siemens. You just glide your finger gently over the control panel to select the appropriate power level.

All the 60cm models are controlled with one single 9.5cm long monoSlider control and the extra wide models have four or five 8cm long multiSlider controls.

touchSlider models have all the features of Siemens ceramic and induction hobs including electronic control, electronic display, timer with switch off, safety switch off and residual heat indicators.



Metal touchSlider

Our unique metal touchSlider controls are extremely tough, highly reliable and have a long life span. However despite their durability they are very easy to operate. You just glide your finger gently over the control panel to select the appropriate power level.



Electronic touch controls

These sleekly designed controls are really simple to use, and their state of the art technology gives you precise control over your hob. When activated, the power level is handily displayed for each zone, allowing you to monitor the status at a glance.



Why not experience the benefits of induction cooking for yourself?

Induction is recognised as being one of the quickest, safest and most efficient methods of cooking available. When a pan with a ferrous or magnetic metal base is placed on the hob, the coil situated below the ceramic surface creates a powerful electromagnetic field which induces a current and generates heat almost instantly directly into the pan.



Benefits of induction cooking

Induction is 40% faster than gas as a cooking method, and safer too as the cooking zone switches off if there is no pan on the hob. What's more, heat is only generated through the area that's actually touching the pan – which also makes it up to 25% more efficient than gas.

Spillages are less likely to burn on and there is no need to wait for the glass to cool down in order to give the hob a good clean. You simply wipe over with a cloth.



Automatic pan recognition

Energy efficient induction hobs are up to 25% quicker than gas. Plus our intelligent pan recognition feature means the hob will only operate if it 'recognises' the pan is in place.

Pans suitable for induction hobs

Only pans with a ferrous base can be used with induction hobs. To be certain that your hob performs at its best, make sure you invest in a set of good quality pans. Look for pans with a smooth, flat base – those with steel and aluminium sandwich construction are particularly good at distributing heat. Check with your pan manufacturer if you are not sure or simply apply a magnet to the base of the pan (it should be magnetic!) Siemens offer a set of induction pans as an optional accessory (HZ390040). These pans have been specially selected by Siemens following intensive testing and will ensure optimum performance when used with our induction hobs.



Metal look hob base

This is a unique new "metal look" design. The eye-catching design and stylish appearance co-ordinates nicely with stainless steel ovens. Available on models EH679ME11 (60cm wide) and EH879SB11 (80cm wide).



Boost setting and super boost (including 28cm diameter zones)

The boost function increases the power output of the selected zone by approximately 50% by 'borrowing' power from its partner cooking zone.

Quality, safety and cleaning. At Siemens, we've found the higher the former the easier the latter.

With their slim shape and tough stain and scratch resistant wipe clean surfaces, it's easy to see why our smooth, high gloss finish ceramic hobs are the ideal electric hob for so many people.



Control panel pause

At the touch of a button, the control panel is locked for a short period during which time the control panel can be wiped clean without altering any settings. A signal sounds after approx. 35 seconds indicating that the protection function is switched off.



Emergency stop facility

The second you press the power button, all the cooking zones instantly switch off – so should you be called away from the kitchen for any reason, you can rest assured that everything is under control.



Quality of ceramic glass hob base material

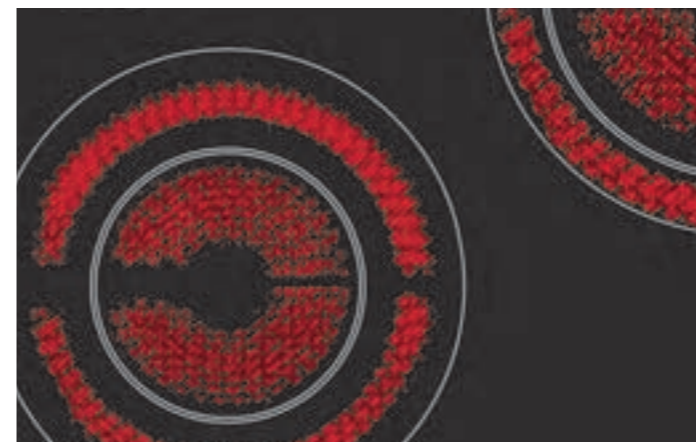
With their slim 4mm profile and sleek wipe clean surface they undoubtedly enhance any kitchen. Add to that the benefit of their tough stain and scratch resistant black ceramic glass surface, it's easy to see why ceramic is the perfect choice for many people.

Automatic safety cut out

Sensors enable the hob to switch itself off, should you forget to!

Safety lock

Simply press the main on/off sensor for a few seconds to lock the controls and prevent inadvertent operation. Easily re-activated by repeating the process.



Quick-lite cooking zones

The cooking zones start to heat up within a few seconds of activating; considerably quicker than standard ceramic zones or sealed plate electric hobs.

Prefer gas? With our gas hobs, you're really cooking.

Our gas hobs not only offer various configurations but are also equipped with the latest in high-speed wok burner technology. Top models feature up-to-the-minute electronic ignition and power on reminder indicators.

The cast iron pan supports provide a strong contemporary look and a stable base for any size of pan.

Siemens hobs are available in different trim types, including a stunning faceted front edge ceramic design with elegant brushed stainless steel side trims for that really stylish look.



Design

Siemens gas hobs come in 60cm, 70cm and 90cm widths, plus special 30cm wide domino models with trims designed to co-ordinate with ceramic and induction dominos or with larger hobs with the same trim style. Models vary in terms of configuration; combinations of economy, standard, high power and wok burners in 4, 5 or 6 burner versions are available. Whether your preference is for high quality stainless steel, toughened black glass or durable slimline ceramic glass, Siemens has the hob for you.

Electronic ignition and flame failure

All Siemens models have a flame failure safety device fitted to each individual burner. Should the flame be extinguished for any reason, the thermostatic control senses that drop in temperature and shuts the gas flow to the individual burner. Ignition is achieved via the control dials – simply push and turn; no need to press separate ignition buttons. Our top of the range flameTronic models feature fully electronic ignition – simply turn the control dial and the hob electronically manages the ignition process.

Wok burners

Siemens gas hobs now feature wok burners delivering 3.3 kW, 4.0 kW, 4.2 kW, 4.5 kW, 5.0 kW or 6.0 kW of power depending on the model – meeting the increasing demand for high speed cooking. The higher power burners will boil water up to 20% faster than some of our previous wok burners, but can still offer optimum control, as they can be reduced down to just 0.3 kW – perfect for simmering or melting chocolate. Our 6.0 kW and 5.0 kW burners are dual control – the inner and outer flame rings can be adjusted independently via one single control, thus providing optimum flexibility.



Simmer cap

Only found on our gas hobs, this special extra wide burner cap fits on the smallest burner and is designed to diffuse the minimum power heat (and spread the higher power heat) over a wider surface area, avoiding hot spots and absolutely perfect for simmering.

Automatic switch off timer

Up to two burners can be timed to switch off after a preset time.

Safety switch off function

If a burner is inadvertently left on, after a period of time the sensor will detect it and turn it off (electronic models only).



Our top flameTronic electronic hob

70cm wide models ER726RF90E and EC745RF90E have these safety features:

Child lock

A simple touch of a button activates this safety function.

Automatic burner re-ignition and safety shut off

If a flame accidentally goes out, the hob will try to re-light it for ten seconds. Should nothing happen, all gas flow to the hob is cut off and the indicator lights flash.

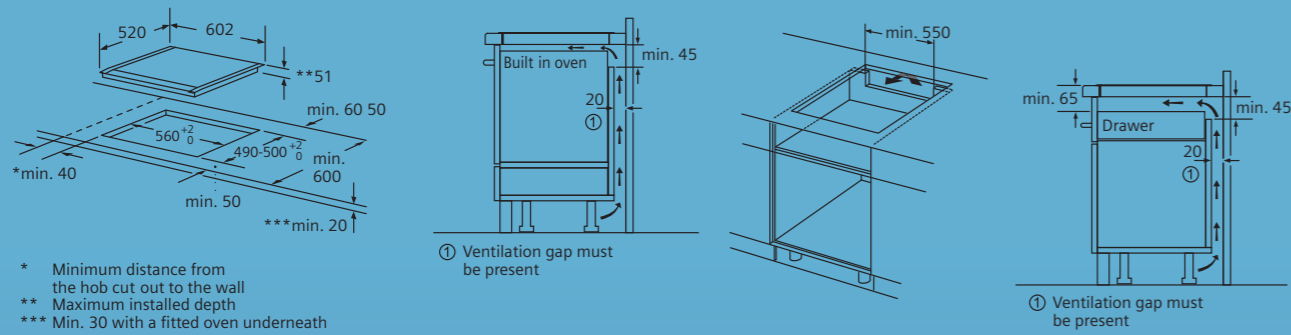
LED indicator lights

The control panel features several LEDs indicating the status of each burner. They're also residual heat indicators, letting you know if the burners, pans supports and surrounding areas are still too hot to touch.

Quick stop function

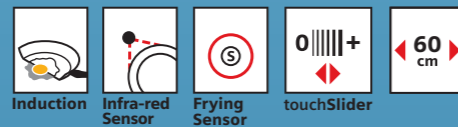
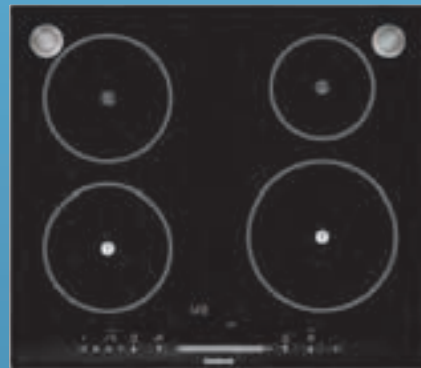
If you're interrupted when cooking, simply press the main on/off button and all the burners will be shut off at once.

iQ700 touchSlider sensor control induction hob



Measurements in mm

Total connected load 7.2kW



touchSlider sensor control induction hob EH675ME31E black glass with stainless steel trim

- 602 mm wide
- Front controls
- Facetted front edge design
- Can be installed with a Siemens domino hob
- 4 induction cooking zones
- 2 infra red sensor zones
- 2 frying sensor zones
- Electronic control
- Electronic power level display
- 17 power levels
- 5 infra red sensor power levels
- 4 frying sensor power levels
- Main on/off switch
- LED timer for all zones
- Two stage residual heat indicators
- Automatic safety switch off
- Safety lock
- Control panel pause
- Power boost setting
- Automatic pan recognition

For optimum results using the frying sensors we recommend the use of the optional frying pan accessory, which has been specifically tested and approved for use with this function.

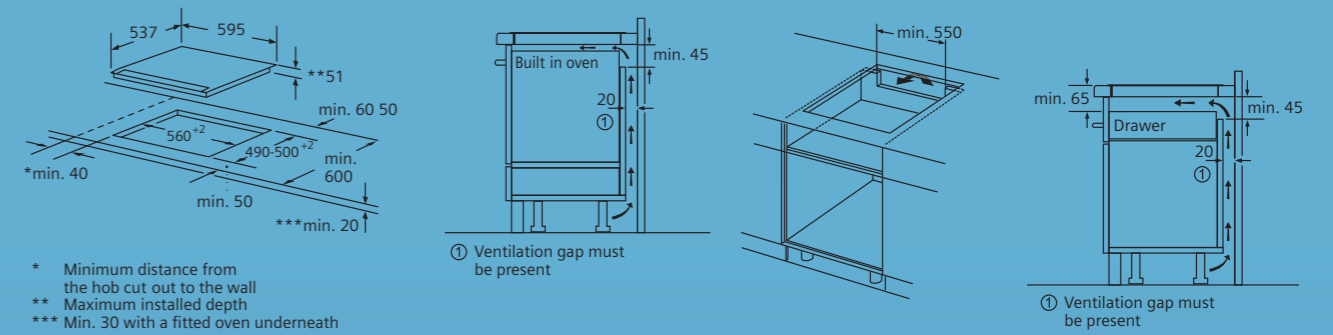
Accessory part number [Z390230](#)



- Frying sensors optimised for use with this pan
- Base diameter 22cm, rim diameter 26cm

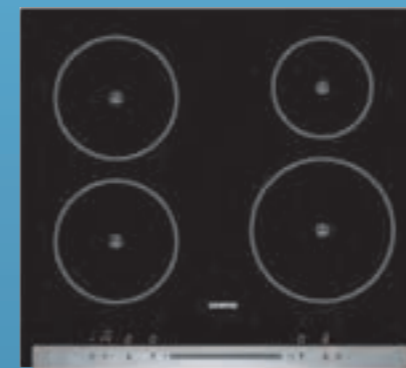
The line drawings featured are provided as a guide to general dimensions only and are subject to amendment without prior notice. For full dimensional and installation details, please refer to the documentation supplied with the appliance.

iQ700 Metal touchSlider induction hob



Measurements in mm

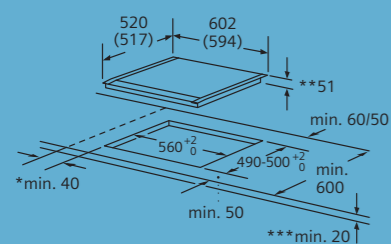
Total connected load 7.2kW



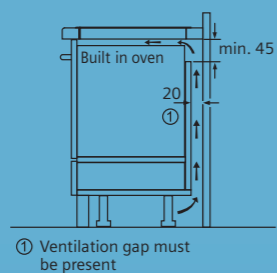
Metal touchSlider induction hob EH685ME11E black with stainless steel trim

- 595 mm wide
- Front controls
- 4 induction cooking zones
- Electronic control
- Metal touchSlider operation
- Electronic power level display
- 17 power levels
- Main on/off switch
- LED timer for all zones
- Two stage residual heat indicators
- Automatic safety switch off
- Safety lock
- Control panel pause
- Power boost setting
- Automatic pan recognition

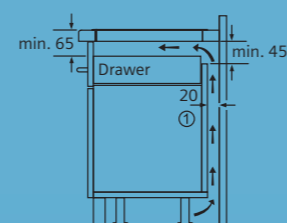
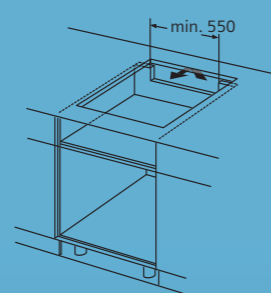
iQ700 touchSlider control induction hobs



- * Minimum distance from the hob cut out to the wall
 - ** Maximum installed depth
 - *** Min. 30 with a fitted oven underneath
- Figures in brackets refer to EH679ME11



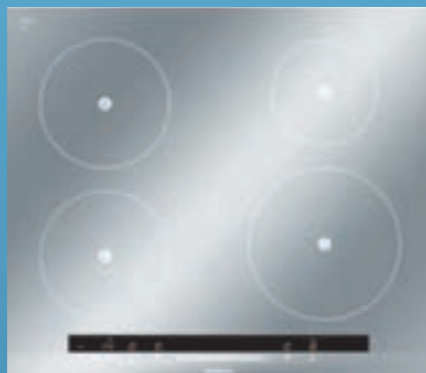
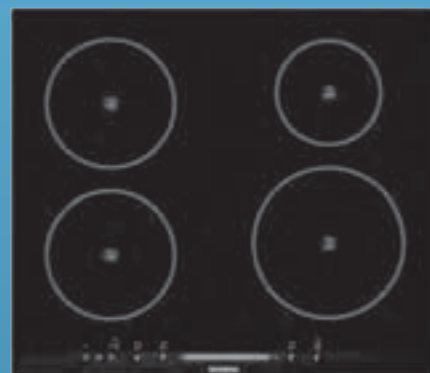
① Ventilation gap must be present



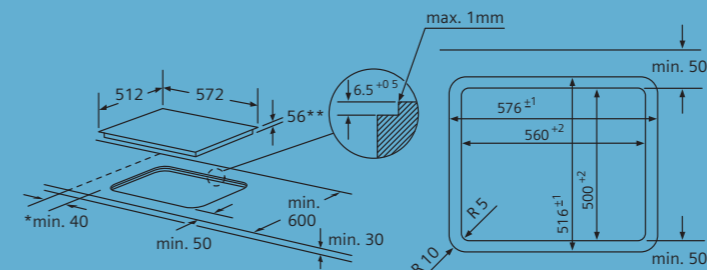
① Ventilation gap must be present

Measurements in mm

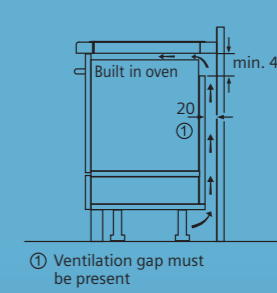
Total connected load 7.2kW



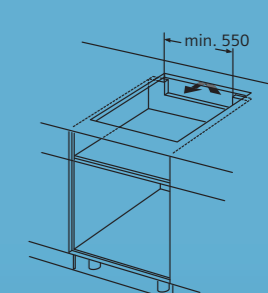
iQ700 Flush fit touch control induction hob



- * Minimum distance from the hob cut out to the wall
- ** Maximum installed depth

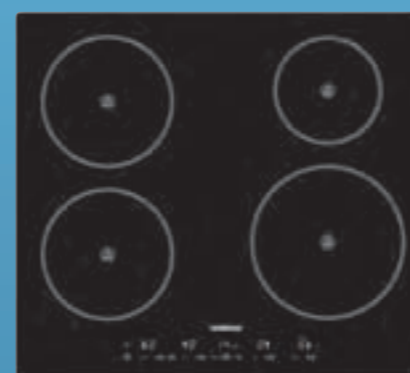


① Ventilation gap must be present



Measurements in mm

Total connected load 7.2kW



touchSlider control induction hob EH675ME11E black glass with stainless steel trim

- 602 mm wide
- Front controls
- Design trim (front facette with side trim)
- 4 induction cooking zones
- Can be installed with a Siemens domino hob
- Electronic control
- touchSlider operation
- Electronic power level display
- 17 power levels
- Main on/off switch
- Timer for all zones

- Two stage residual heat indicators
- Automatic safety switch off
- Safety lock
- Control panel pause
- Power boost setting
- Automatic pan recognition

Also available with metal look glass as model EH679ME11

- Specification as left except:
- Metal look glass
- No front facette
- Not suitable for installation with Siemens domino hobs

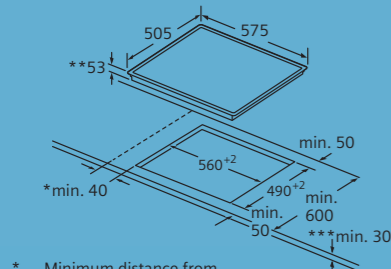
Flush fit touch control induction hob EH601TE11E black glass

- 572 mm wide
- Front controls
- Flush fitting design/installation
- 4 induction cooking zones
- Electronic control
- Touch control
- Electronic power level display
- 17 power levels
- Main on/off switch

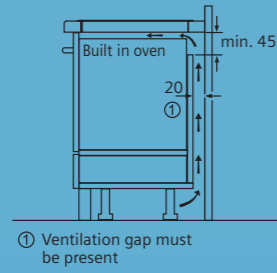
- Timer for all zones
- Two stage residual heat indicators
- Automatic safety switch off
- Safety lock
- Power boost setting
- Automatic pan recognition

The line drawings featured are provided as a guide to general dimensions only and are subject to amendment without prior notice.
For full dimensional and installation details, please refer to the documentation supplied with the appliance.

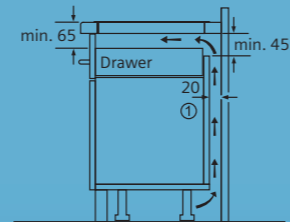
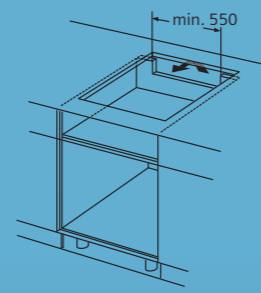
iQ 500 Touch control induction hob



- * Minimum distance from the hob cut out to the wall
- ** Maximum installed depth
- *** Min. 30 with a fitted oven underneath



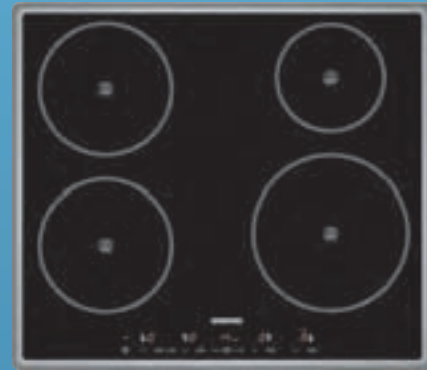
① Ventilation gap must be present



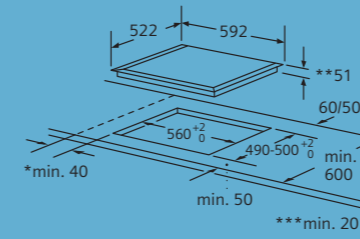
① Ventilation gap must be present

Measurements in mm

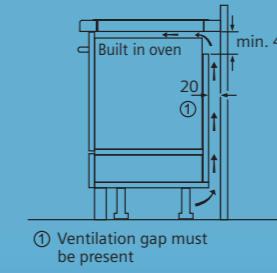
Total connected load 7.2kW



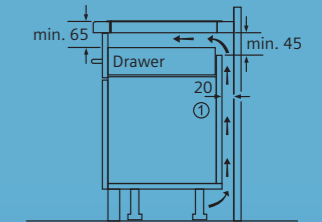
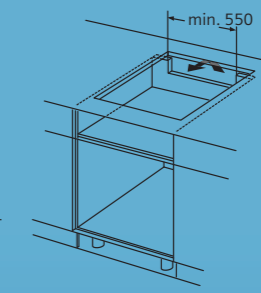
iQ 500 Frameless touch control induction hob



- * Minimum distance from the hob cut out to the wall
- ** Maximum installed depth
- *** Min. 30 with a fitted oven underneath



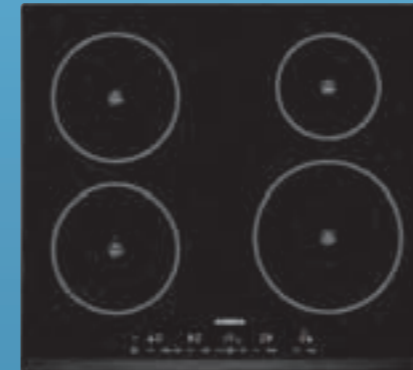
① Ventilation gap must be present



① Ventilation gap must be present

Measurements in mm

Total connected load 7.2kW



Touch control induction hob EH645TE11E black glass with stainless steel trim

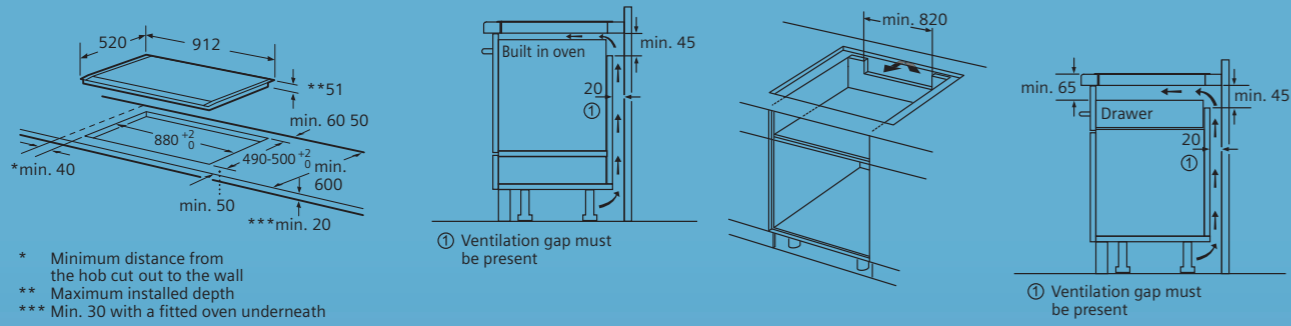
- 575 mm wide
- Front touch controls
- All around trim
- 4 induction cooking zones
- Electronic control
- Touch control
- Electronic power level display
- 17 power levels
- Main on/off switch
- Timer for all zones
- Two stage residual heat indicators
- Automatic safety switch off
- Safety lock
- Power boost setting
- Automatic pan recognition

Frameless touch control induction hob EH651TE11E black glass

- 592 mm wide
- Front touch controls
- Three sided bevelled frameless finish
- 4 induction cooking zones
- Electronic control
- Touch control
- Electronic power level display
- 17 power levels
- Main on/off switch
- Timer for all zones
- Two stage residual heat indicators
- Automatic safety switch off
- Safety lock
- Power boost setting
- Automatic pan recognition

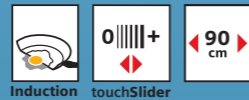
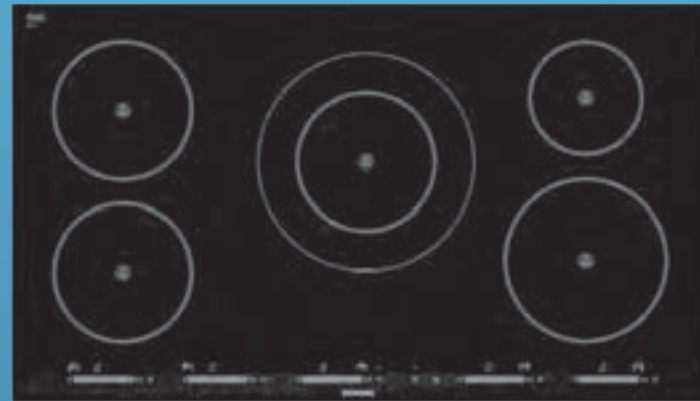
The line drawings featured are provided as a guide to general dimensions only and are subject to amendment without prior notice. For full dimensional and installation details, please refer to the documentation supplied with the appliance.

iQ700 Extra wide touchSlider induction hob

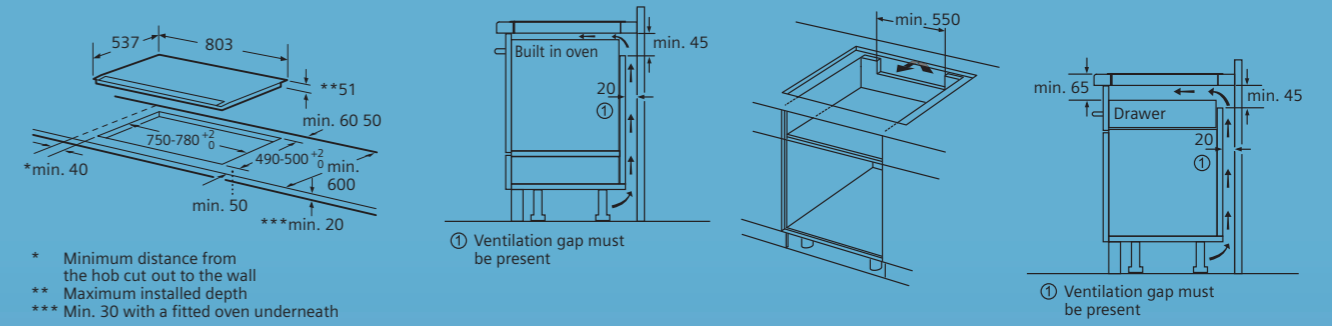


Measurements in mm

Total connected load 10.8kW

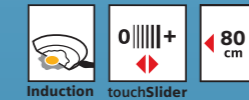
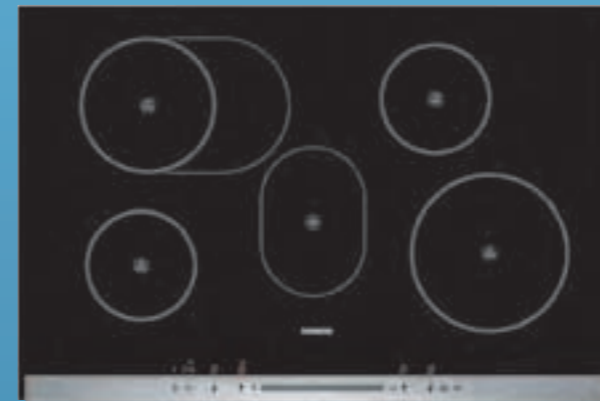


iQ700 Extra wide metal touchSlider induction hob



Measurements in mm

Total connected load 7.29kW



Extra wide touchSlider induction hob EH975SK11E black glass with stainless steel trim

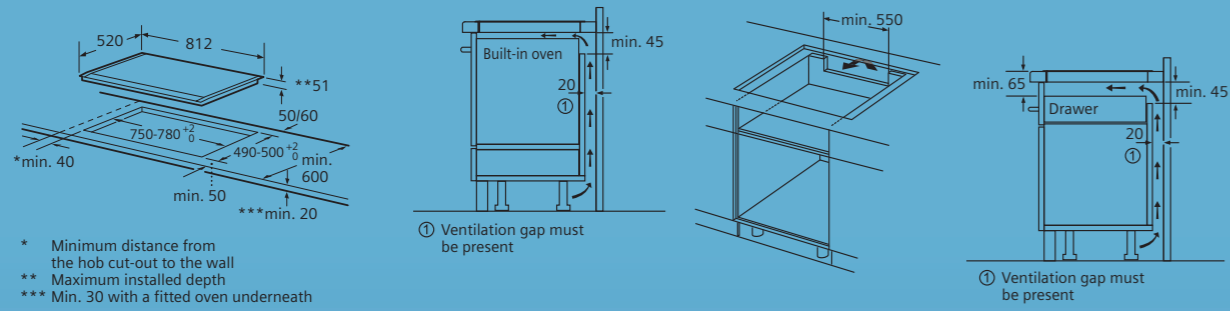
- | | |
|--|--|
| 912 mm wide | Main on/off switch |
| | Timer for all zones |
| Front controls | Two stage residual heat indicators |
| Design trim (front facette with side trim) | Automatic safety switch off |
| | Safety lock |
| 5 induction cooking zones | Control panel pause |
| 1 dual/extendable zone | Power boost setting |
| Can be installed with a Siemens domino hob | Superboost setting for centre zone (up to 4.4kW) |
| Electronic control | Automatic pan recognition |
| touchSlider operation | |
| Electronic power level display | |
| 17 power levels | |

Extra wide metal touchSlider induction hob EH885MB11E black glass with stainless steel trim

- | | |
|--------------------------------|------------------------------------|
| 803 mm wide | Main on/off switch |
| | Timer for all zones |
| Front controls | Two stage residual heat indicators |
| | Automatic safety switch off |
| | Safety lock |
| 4 induction cooking zones | Control panel pause |
| 1 dual/extendable zone | Power boost setting |
| 1 warming zone | Automatic pan recognition |
| Electronic control | |
| Metal touchSlider operation | |
| Electronic power level display | |
| 17 power levels | |

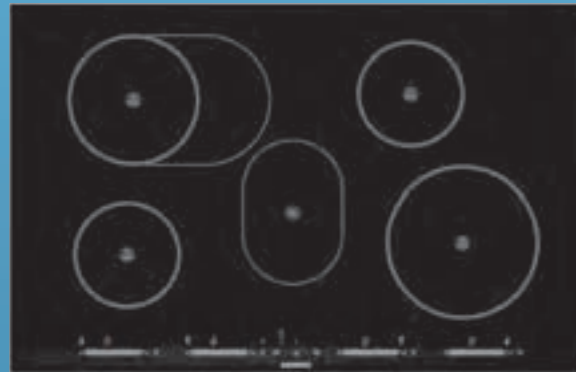
The line drawings featured are provided as a guide to general dimensions only and are subject to amendment without prior notice. For full dimensional and installation details, please refer to the documentation supplied with the appliance.

iQ 700 Extra wide metal touchSlider induction hobs

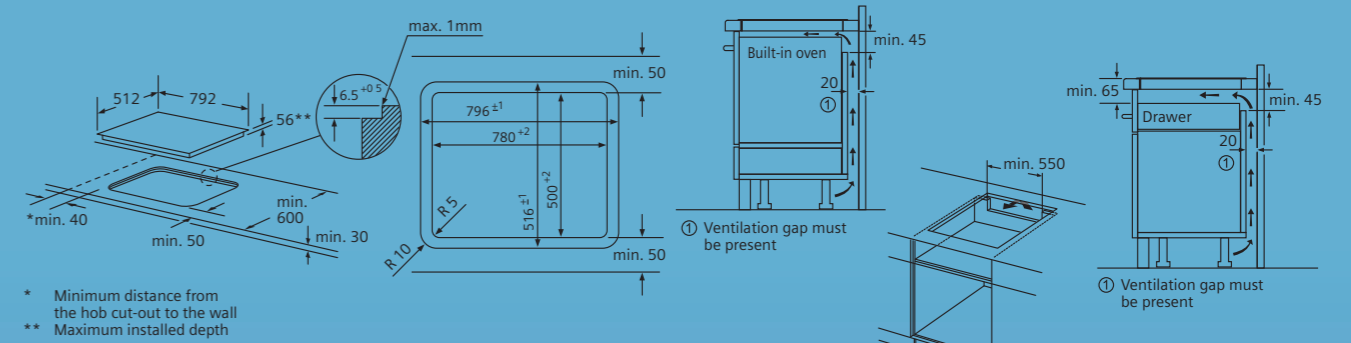


Measurements in mm

Total connected load 7.29kW

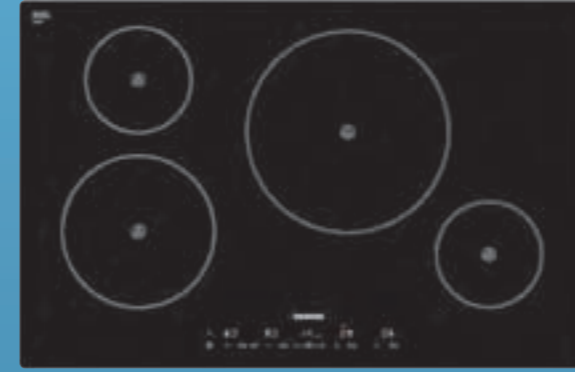


iQ 500 Extra wide flush fit touch control induction hob



Measurements in mm

Total connected load 7.2kW



Extra wide metal touchSlider induction hob EH875B11E black glass with stainless steel trim

- | | |
|--|------------------------------------|
| 812 mm width | 17 power levels |
| Front controls | Main on/off switch |
| Design trim (front facette with side trim) | Timer for all zones |
| 4 induction cooking zones | Two stage residual heat indicators |
| 1 dual/extendable zone | Automatic safety switch off |
| 1 warming zone | Safety lock |
| Can be installed with a Siemens domino hob | Control panel pause |
| Electronic control | Power boost setting |
| touchSlider operation | Automatic pan recognition |
| Electronic power level display | |

Also available with metal look glass as model EH879SB11

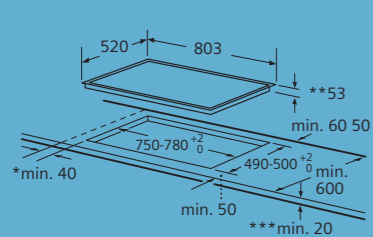
- Specification as left except:
- Metal look glass
- No front facette
- Not suitable for installation with Siemens domino hobs

Extra wide flush fit touch control induction hob EH811TL11E black glass

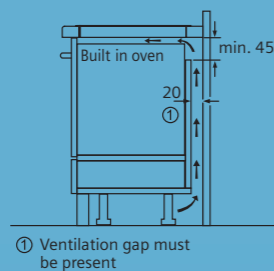
- | | |
|-----------------------------------|------------------------------------|
| 792 mm width | Two stage residual heat indicators |
| Front controls | Automatic safety switch off |
| Flush fitting design/installation | Safety lock |
| 4 induction cooking zones | Power boost setting |
| Touch control | Automatic pan recognition |
| Electronic power level display | |
| 17 power levels | |
| Main on/off switch | |
| Timer for all zones | |

The line drawings featured are provided as a guide to general dimensions only and are subject to amendment without prior notice. For full dimensional and installation details, please refer to the documentation supplied with the appliance.

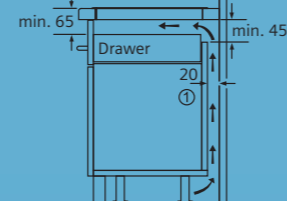
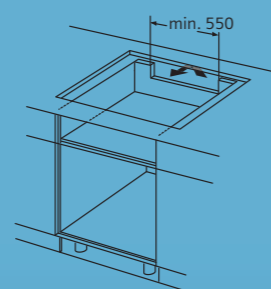
iQ 500 Extra wide touch control induction hob



- * Minimum distance from the hob cut out to the wall
- ** Maximum installed depth
- *** Min. 30 with a fitted oven underneath



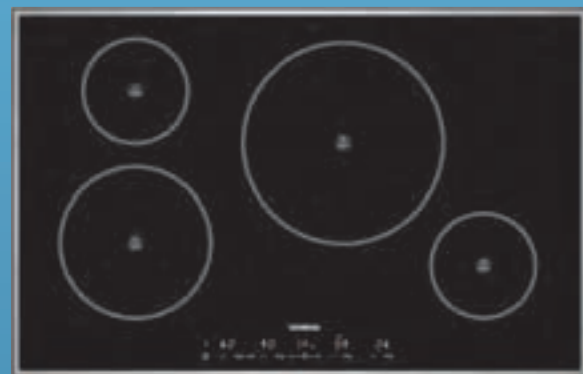
① Ventilation gap must be present



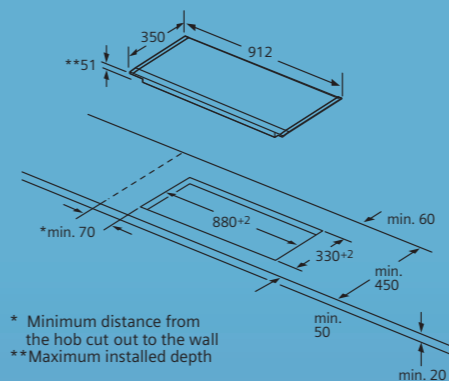
① Ventilation gap must be present

Measurements in mm

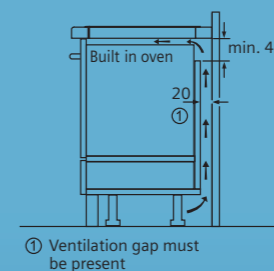
Total connected load 7.2kW



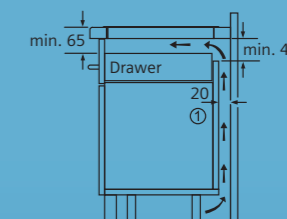
iQ 700 Extra wide touchSlider induction hob



- * Minimum distance from the hob cut out to the wall
- ** Maximum installed depth



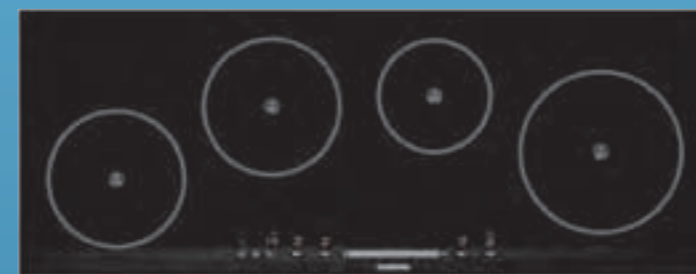
① Ventilation gap must be present



① Ventilation gap must be present

Measurements in mm

Total connected load 7.2kW



Extra wide touch control induction hob EH845TL11E black glass with stainless steel trim

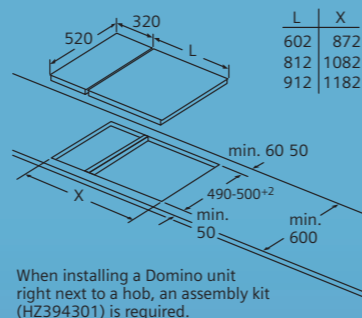
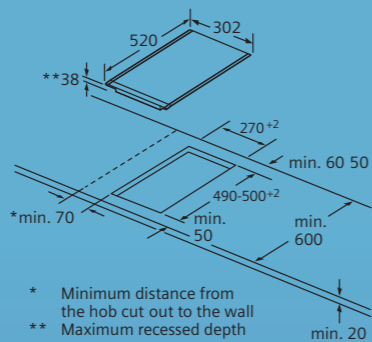
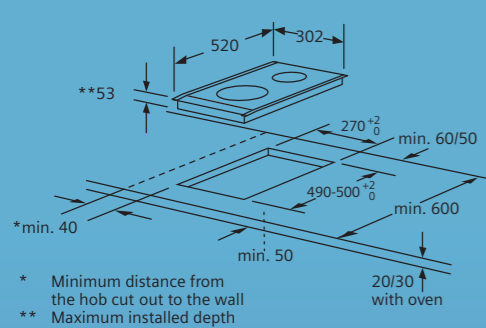
- | | |
|--------------------------------|------------------------------------|
| 803 mm width | Timer for all zones |
| Front controls | Two stage residual heat indicators |
| All around trim | Automatic safety switch off |
| | Safety lock |
| | Power boost setting |
| 4 induction cooking zones | Automatic pan recognition |
| Electronic control | |
| Touch control | |
| Electronic power level display | |
| 17 power levels | |
| Main on/off switch | |

Extra wide touchSlider induction hob EH975ME11E black glass with stainless steel trim

- | | |
|--|------------------------------------|
| 912 mm width | Timer for all zones |
| Front controls | Two stage residual heat indicators |
| Design trim (front facette with side trim) | Automatic safety switch off |
| | Safety lock |
| | Control panel pause |
| 4 induction cooking zones | Power boost setting |
| Electronic control | Automatic pan recognition |
| touchSlider operation | |
| Electronic power level display | Available Autumn 2009 |
| 17 power levels | |
| Main on/off switch | |

The line drawings featured are provided as a guide to general dimensions only and are subject to amendment without prior notice. For full dimensional and installation details, please refer to the documentation supplied with the appliance.

iQ700 Domino touchSlider induction and quick-lite ceramic hobs

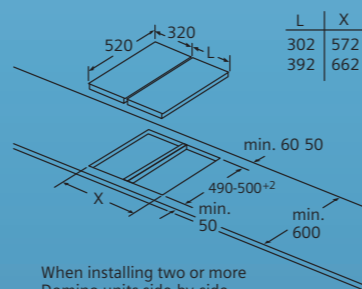
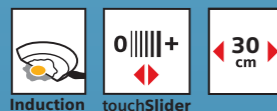


Total connected load 3.6kW

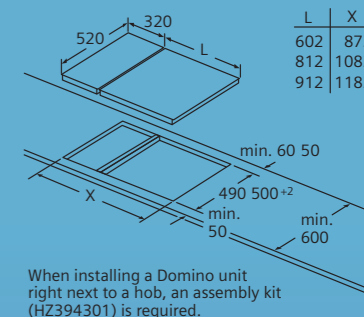
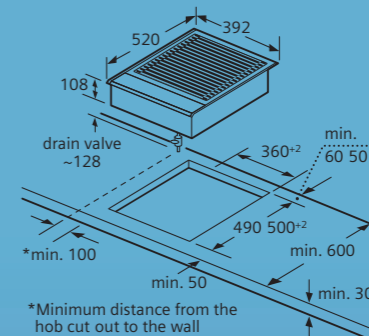
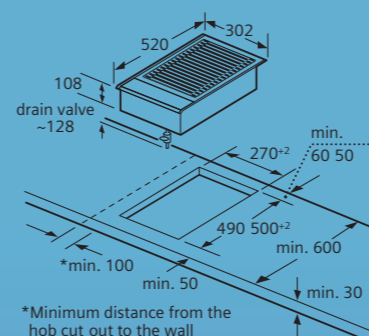
Total connected load 3.2kW



Measurements in mm

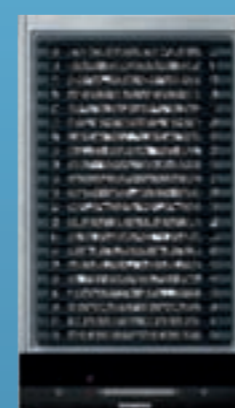


iQ700 Domino touchSlider BBQ grills

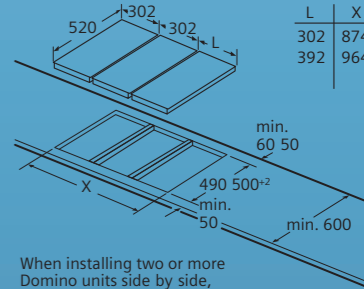
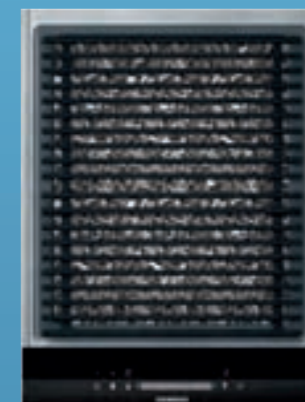


Total connected load 2.4kW

Total connected load 3.4kW



Measurements in mm



Domino touchSlider induction hob EH375ME11E black glass with stainless steel trim

302 mm wide

Front controls
Design trim (front facette with side trim)

- Can be installed with other Siemens domino hobs
- 2 induction cooking zones
- Electronic control
- touchSlider operation
- Electronic power level display
- 17 power levels
- Main on/off switch
- Timer for all zones
- Two stage residual heat indicators
- Automatic safety switch off
- Safety lock
- Control panel pause
- Power boost setting
- Automatic pan recognition and selected other Siemens full sized iQ700 hobs

Domino touchSlider quick-lite ceramic hob ET375MF11E stainless steel

302 mm wide

Front controls
Design trim (front facette with side trim)

- 2 quick lite cooking zones
- 1 dual/extendable zone
- Electronic control
- touchSlider operation
- Electronic power level display
- 17 power levels
- Main on/off switch
- Timer for all zones
- Two stage residual heat indicators
- Automatic safety switch off
- Can be installed with other Siemens domino hobs

Domino touchSlider BBQ grill ET375MU11E stainless steel

302 mm wide

Front controls
Design trim (front facette with side trim)

- 1 cooking zone
- Electronic control
- touchSlider operation
- Electronic power level display
- 9 power levels
- Lava stones included
- Timer
- Automatic safety switch off

Can be installed with other Siemens domino hobs

Domino touchSlider BBQ grill ET475MU11E stainless steel

392 mm wide

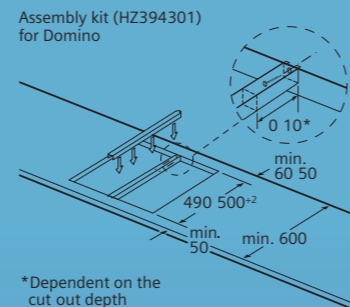
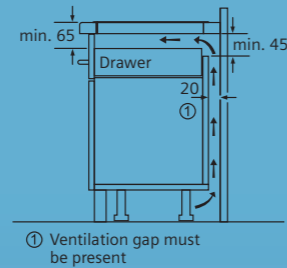
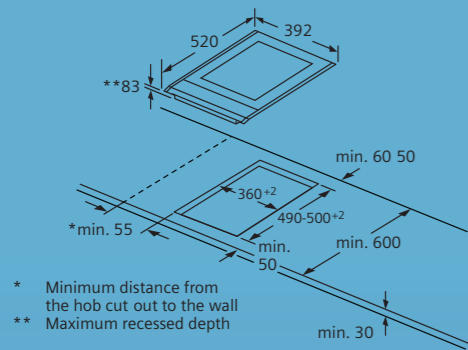
Front controls
Design trim (front facette with side trim)

- 2 cooking zones
- Electronic control
- touchSlider operation
- Electronic power level display
- 9 power levels
- Lava stones included
- Timer
- Automatic safety switch off

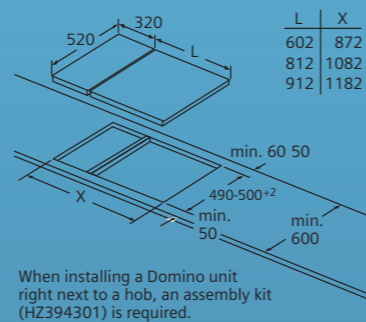
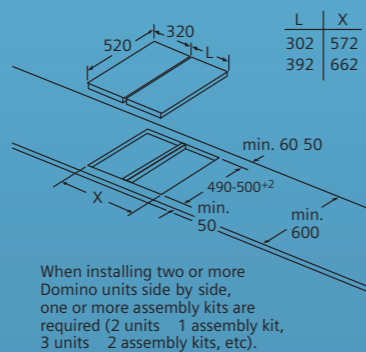
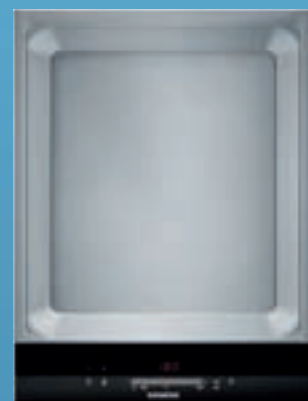
Can be installed with other Siemens domino hobs

The line drawings featured are provided as a guide to general dimensions only and are subject to amendment without prior notice. For full dimensional and installation details, please refer to the documentation supplied with the appliance.

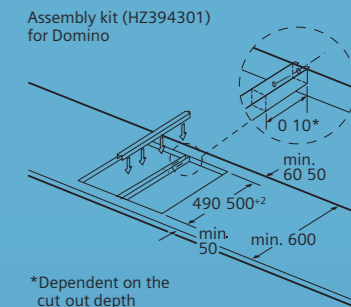
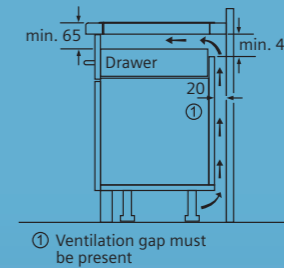
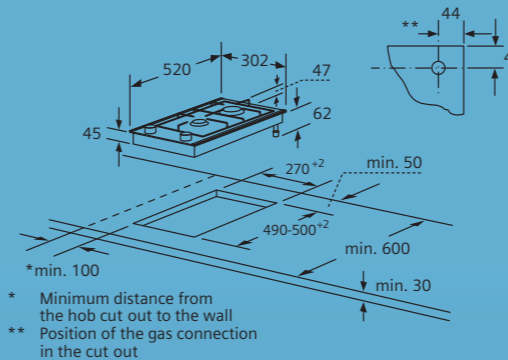
iQ 700 Domino teppan yaki cooktop



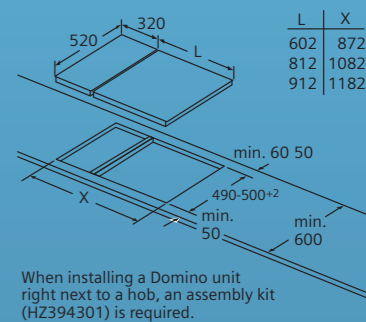
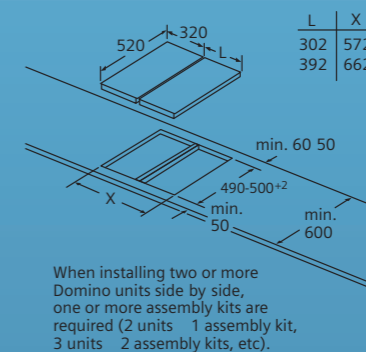
Measurements in mm Total connected load 1.9kW



iQ 700 Domino gas hob



Measurements in mm Total connected load 0.6kW



Domino teppan yaki cooktop ET475MY11E stainless steel

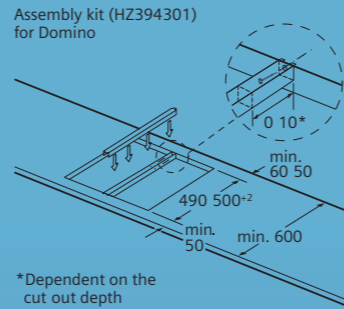
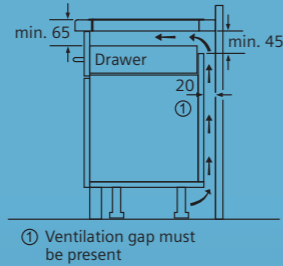
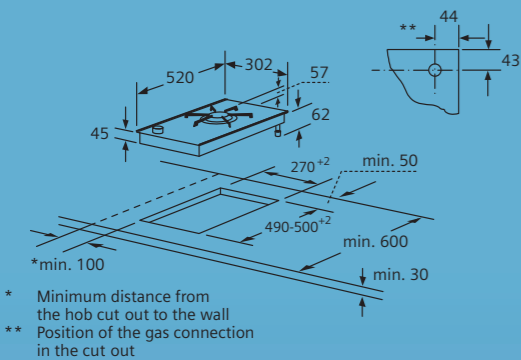
- 392 mm wide
- Front controls
- Design trim (front facette with side trim)
- 2 cooking zones
- Electronic control touchSlider operation
- Electronic power level display
- 9 power levels
- Automatic safety switch off
- Timer
- Includes spatula
- Can be installed with other Siemens domino hobs

Domino gas hob ER326BB90E stainless steel

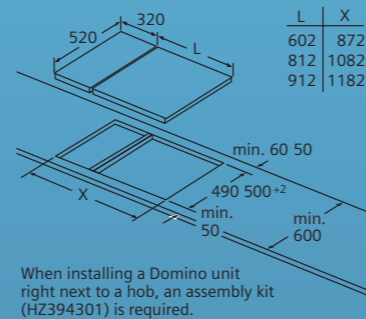
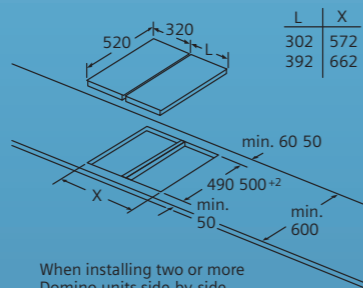
- 302 mm wide
- Stainless steel ceramic glass base with faceted front edge design and stainless steel side trims
- Front mounted control dials
- 2 burner gas hob
- Ignition via control dials
- Variable power levels
- Flame failure safety device
- 1 cast iron pan support
- Low profile single piece burners
- Factory set for connection to mains gas
- LPG jets included
- Can be installed with other Siemens domino hobs

The line drawings featured are provided as a guide to general dimensions only and are subject to amendment without prior notice. For full dimensional and installation details, please refer to the documentation supplied with the appliance.

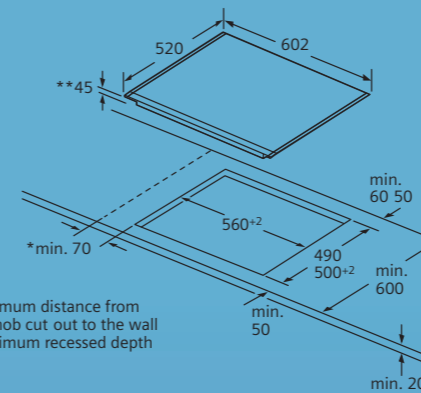
iQ700 Domino wok burner



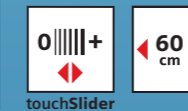
Measurements in mm Total connected load 0.6kW



iQ700 touchSlider quick-lite hob



Measurements in mm Total connected load 6.6kW



Domino wok burner ER326AB90E stainless steel

302 mm wide

Stainless steel ceramic glass base with faceted front edge design and stainless steel side trims

Front mounted control dial

Dual control

6.0kW wok burner

Ignition via control dials

Variable power levels

Flame failure safety device

1 cast iron pan support

Low profile single piece burner

Factory set for connection to mains gas

LPG jets included

Can be installed with other Siemens domino hobs

touchSlider quick-lite hob ET675MG11E black glass with stainless steel trim

602 mm width

Front controls

Design trim (front facette with side trim)

4 quick lite cooking zones

2 dual/extendable zones

Can be installed with a Siemens domino hob

Electronic control

touchSlider operation

Electronic power level display

17 power levels

Power on indicator

Main on/off switch

Timer for all zones

Two stage residual heat indicators

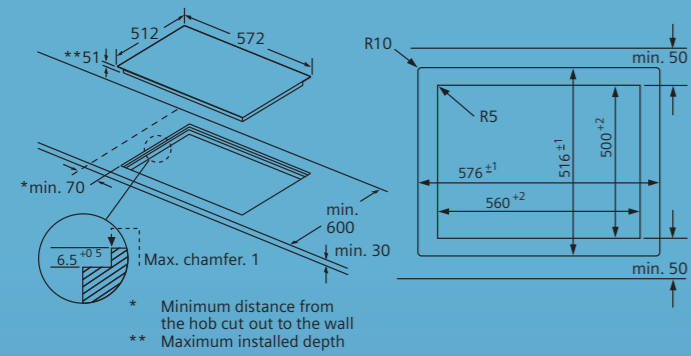
Control panel pause

Automatic safety switch off

Safety lock

The line drawings featured are provided as a guide to general dimensions only and are subject to amendment without prior notice. For full dimensional and installation details, please refer to the documentation supplied with the appliance.

iQ300 Flush fit touch control quick-lite hob



Measurements in mm

Total connected load 6.6kW



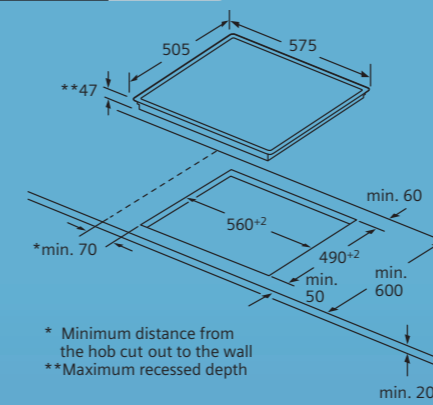
Flush fit touch control quick-lite hob ET601TF11D black glass

572 mm width
Front controls
Flush fitting design/installation
4 quick lite cooking zones
1 dual/extendable zone
Electronic control
Touch control
Electronic power level display
17 power levels

Power on indicator
Main on/off switch
Timer for all zones
Two stage residual heat indicators
Automatic safety switch off
Safety lock

The line drawings featured are provided as a guide to general dimensions only and are subject to amendment without prior notice.
For full dimensional and installation details, please refer to the documentation supplied with the appliance.

iQ300 Touch control quick-lite hobs



Measurements in mm

Total connected load 6.6kW



Touch control quick-lite hob ET645TF11E black glass with stainless steel trim

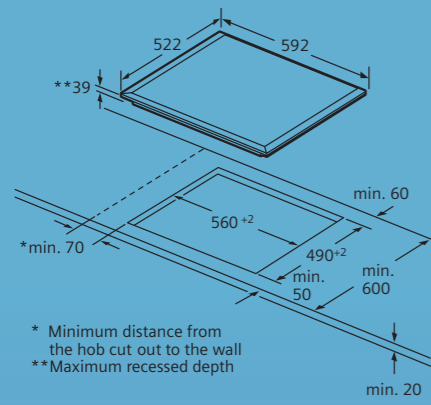
575 mm width
Front controls
All around trim
4 quick lite cooking zones
1 dual/extendable zone
Electronic control
Touch control
Electronic power level display
17 power levels

Power on indicator
Main on/off switch
Timer for all zones
Two stage residual heat indicator
Automatic safety switch off
Safety lock

Also available as model ET646TF11E

- Specification as left except:
- Black glass with black trim

iQ300 Frameless touch control quick-lite ceramic hob

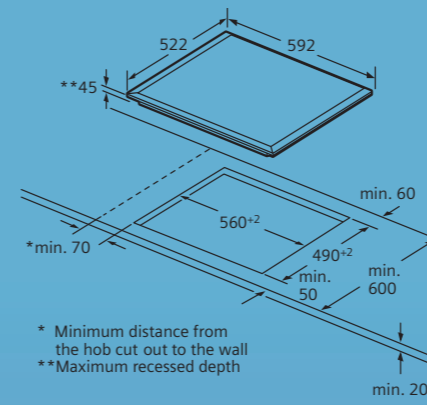


* Minimum distance from the hob cut out to the wall
**Maximum recessed depth

Measurements in mm Total connected load 6.6kW



iQ300 Frameless touch control quick-lite ceramic hob



* Minimum distance from the hob cut out to the wall
**Maximum recessed depth

Measurements in mm Total connected load 6.6kW



Frameless touch control quick-lite ceramic hob
ET651TF11E black glass

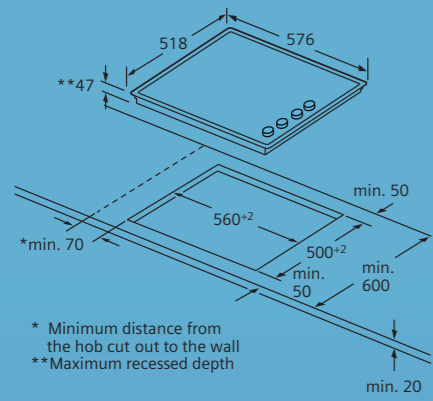
- 592 mm wide
- Front controls
- 3 sided bevelled frameless finish
- 4 quick lite cooking zones
- 1 dual/extendable zone
- Electronic control
- Touch control
- Electronic power level display
- 17 power levels
- Power on indicator
- Main on/off switch
- Timer for all zones
- Two stage residual heat indicators
- Automatic safety switch off
- Safety lock

Frameless touch control quick-lite ceramic hob
ET651EE11E black glass

- 592 mm wide
- Front controls
- 3 sided bevelled frameless finish
- 4 quick lite cooking zones
- Electronic control
- Touch control
- Electronic power level display
- Power on indicator
- Main on/off switch
- Two stage residual heat indicators
- Automatic safety switch off
- Safety lock

The line drawings featured are provided as a guide to general dimensions only and are subject to amendment without prior notice. For full dimensional and installation details, please refer to the documentation supplied with the appliance.

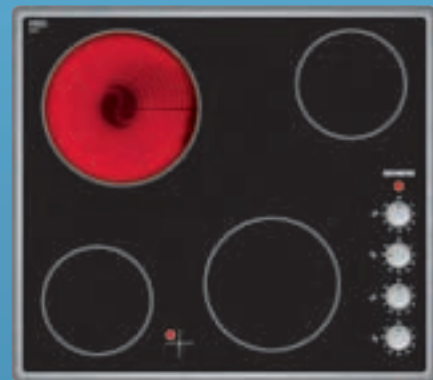
iQ300 Quick-lite ceramic hob



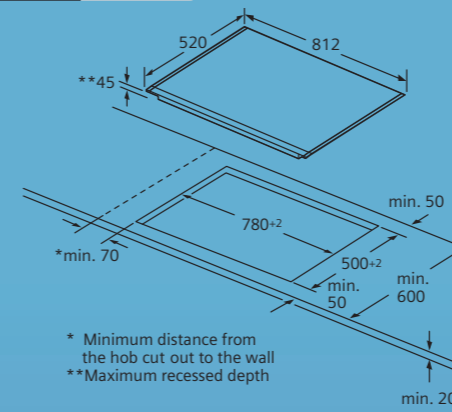
* Minimum distance from the hob cut out to the wall
**Maximum recessed depth

Measurements in mm

Total connected load 6.6kW



iQ700 Extra wide touchSlider quick-lite ceramic hob



* Minimum distance from the hob cut out to the wall
**Maximum recessed depth

Measurements in mm

Total connected load 7.9kW



Quick-lite ceramic hob ET645CE11D black glass with stainless steel trim

576 mm wide

All round trim
Side mounted control knobs

4 quick lite cooking zones
9 power levels
Power on indicator
Residual heat indicators

Extra wide touchSlider quick-lite ceramic hob ET875SC11D stainless steel

812 mm wide

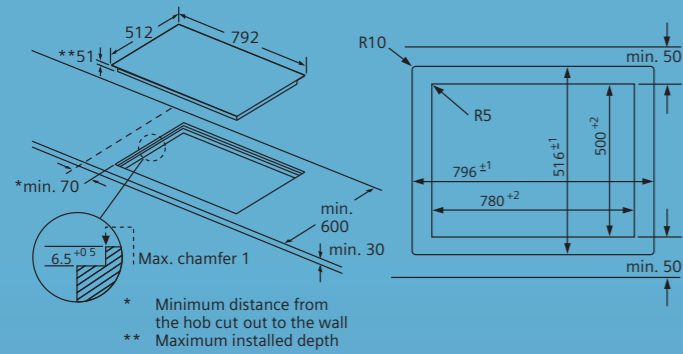
Design trim (front facette with side trim)
Front controls

4 quick lite cooking zones
3 dual/extendable zones
Can be installed with a Siemens domino hob
Electronic control
touchSlider operation
Electronic power level display

17 power levels
Power on indicator
Timer for all zones
Control panel pause function
Two stage residual heat indicators
Automatic safety switch off
Safety lock

The line drawings featured are provided as a guide to general dimensions only and are subject to amendment without prior notice.
For full dimensional and installation details, please refer to the documentation supplied with the appliance.

iQ300 Extra wide flush fit touch control quick-lite ceramic hob

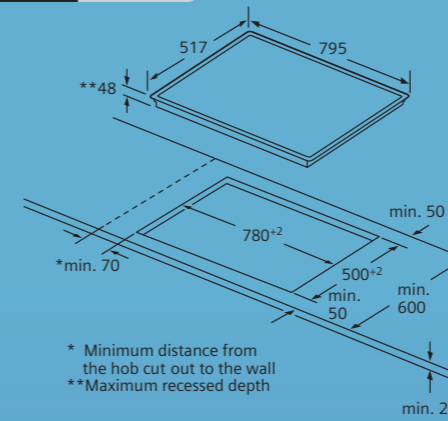


Measurements in mm

Total connected load 7.9kW

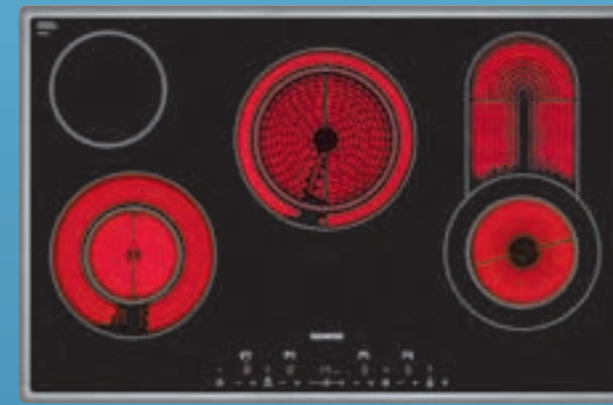


iQ300 Extra wide touch control quick-lite ceramic hob



Measurements in mm

Total connected load 7.9kW



Extra wide flush fit touch control quick-lite ceramic hob ET801TC11D black glass

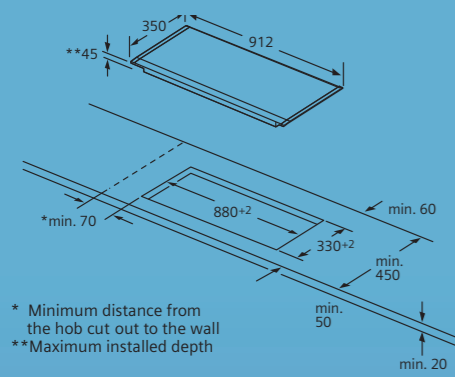
- | | |
|-----------------------------------|------------------------------------|
| 792 mm wide | Power on indicator |
| Front controls | Main on/off switch |
| Flush fitting design/installation | Timer for all zones |
| 4 quick lite cooking zones | Two stage residual heat indicators |
| 3 dual/extendable zones | Automatic safety switch off |
| Electronic control | Safety lock |
| Touch control | |
| Electronic power level display | |
| 17 power levels | |

Extra wide touch control quick-lite ceramic hob ET845TC11D stainless steel

- | | |
|--------------------------------|------------------------------------|
| 795 mm wide | Power on indicator |
| Front controls | Main on/off switch |
| All round trim | Timer for all zones |
| 4 quick lite cooking zones | Two stage residual heat indicators |
| 3 dual/extendable zones | Automatic safety switch off |
| Electronic control | Safety lock |
| Touch control | |
| Electronic power level display | |
| 17 power levels | |

The line drawings featured are provided as a guide to general dimensions only and are subject to amendment without prior notice. For full dimensional and installation details, please refer to the documentation supplied with the appliance.

iQ300 Extra wide touch control quick-lite ceramic hob



Measurements in mm

Total connected load 7.9kW

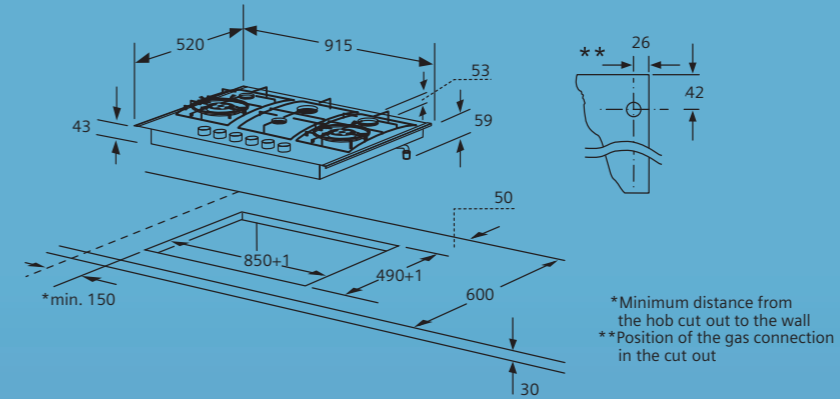


Extra wide touch control quick-lite ceramic hob ET975TG11D stainless steel

- 912 mm wide
- 17 power levels
- Power on indicator
- Front controls
- Main on/off switch
- Design trim (front facette with side trim)
- Timer for all zones
- Two stage residual heat indicators
- 4 quick lite cooking zones
- Automatic safety switch off
- 2 dual/extendable zones
- Safety lock
- Electronic control
- Touch control
- Electronic power level display

The line drawings featured are provided as a guide to general dimensions only and are subject to amendment without prior notice. For full dimensional and installation details, please refer to the documentation supplied with the appliance.

iQ300 Extra wide gas hob with wok burners



Measurements in mm

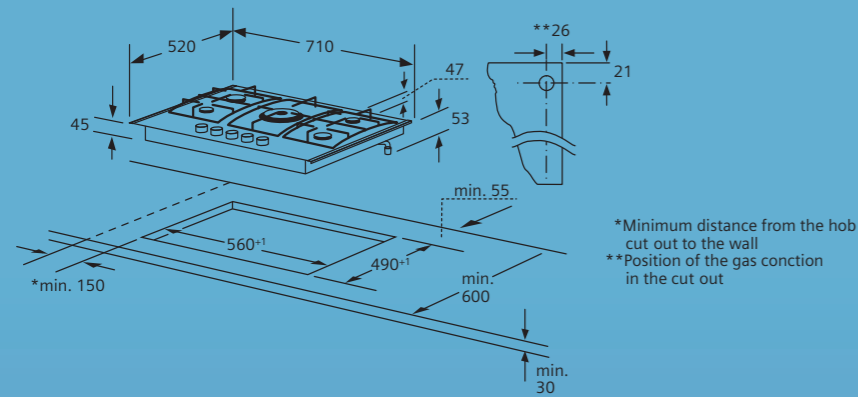
Total connected load 0.6kW



Extra wide gas hob with wok burners EC945TB90E stainless steel

- 915 mm wide
- Front control dials mounted on inlay panel
- 6 burner gas hob including 2 x 3.3kW wok style burners
- Ignition via control dials
- Variable power levels
- Flame failure safety device
- 3 cast iron pan supports
- 2 piece burners
- Factory set for connection to mains gas
- LPG jets included

iQ 700 Extra wide gas hobs with wok burner



*Minimum distance from the hob cut out to the wall
**Position of the gas conction in the cut out

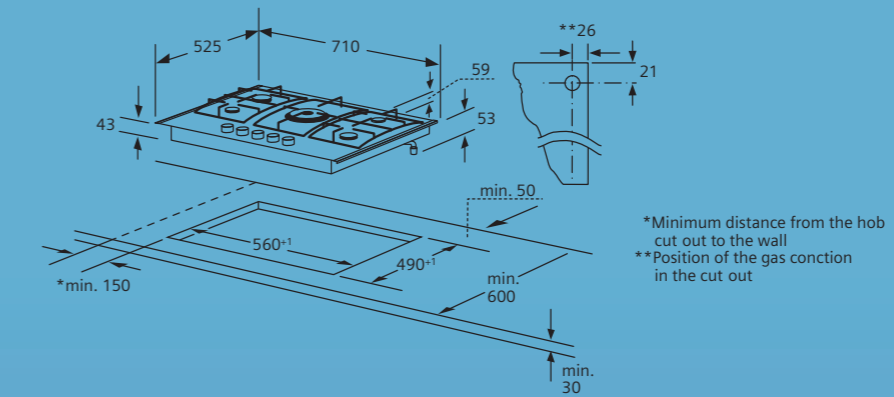
Measurements in mm

Total connected load 2.0kW (ER726RT90E), 3.0kW (ER726RF90E)



70 cm

iQ 300 Extra wide gas hob with wok burner



*Minimum distance from the hob cut out to the wall
**Position of the gas conction in the cut out

Measurements in mm

Total connected load 0.6kW



70 cm

Extra wide gas hob with wok burner ER726RT90E stainless steel

710 mm wide

Black ceramic glass hob base with faceted front edge design and stainless steel side trims

Front mounted control dials

5 burner gas hob including a dual control wok 4.2kW style burner

Ignition via control dials

Variable power levels

Flame failure safety device

Touch control timer

Can be installed with a Siemens domino hob

Automatic safety cut out switch off

2 cast iron pan supports

Low profile single piece burners

Factory set for connection to mains gas

LPG jets included

Wok stand included

Also available as model ER726RF90E

- Specification as left except:
- flameTronic control system
- Electronic display and ignition
- Automatic burner re ignition
- Power on indicator via on switch
- Residual heat indicators

Extra wide gas hob with wok burner EP726QB90E stainless steel

710 mm wide

Tempered glass base with stainless steel front profile

Front mounted control dials

5 burner gas hob including a wok 3.6kW style burner

Ignition via control dials (push and turn)

Variable power levels

Flame failure safety device

2 cast iron pan supports

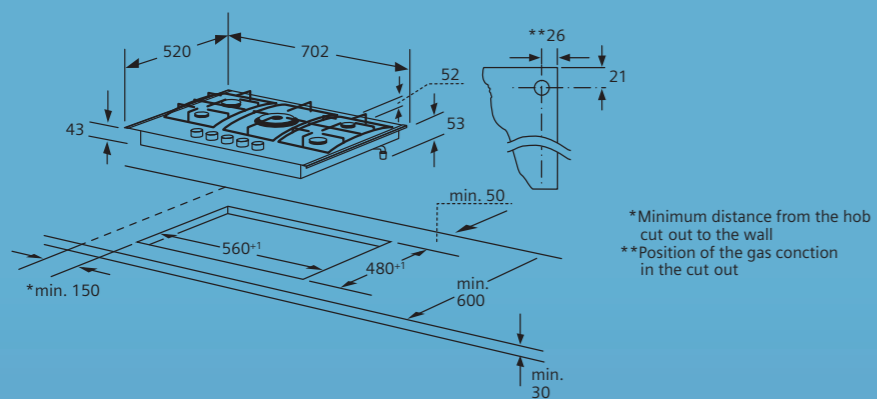
2 piece burners

Factory set for connection to mains gas

LPG jets included

The line drawings featured are provided as a guide to general dimensions only and are subject to amendment without prior notice. For full dimensional and installation details, please refer to the documentation supplied with the appliance.

iQ 500 Extra wide gas hob with wok burner



Measurements in mm

Total connected load 3.0kW



Extra wide gas hob with wok burner EC745RF90E stainless steel

702 mm wide

3 cast iron pan supports
2 piece burners

Front control dials mounted on inlay panel

Factory set for connection to mains gas

5 burner gas hob including a dual control
wok 5.0kW style burner

LPG jets included

flameTronic control

Electronic display and ignition

Automatic burner re ignition

Variable power levels

Power on indicator

Main on/off switch

Residual heat indicators

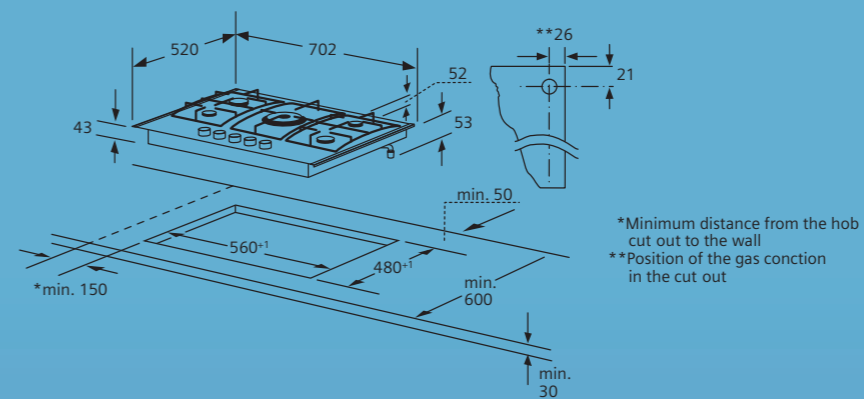
Flame failure safety device

Touch control timer

Automatic safety switch off

The line drawings featured are provided as a guide to general dimensions only and are subject to amendment without prior notice.
For full dimensional and installation details, please refer to the documentation supplied with the appliance.

iQ 500 Extra wide gas hob with wok burner



Measurements in mm

Total connected load 2.0kW



Extra wide gas hob with wok burner EC745RU90E stainless steel

702 mm wide

Front control dials mounted on inlay panel

5 burner gas hob including a dual control
wok 5.0kW style burner

Ignition via control dials

Variable power levels

Flame failure safety device

Touch control timer

Automatic safety switch off

3 cast iron pan supports

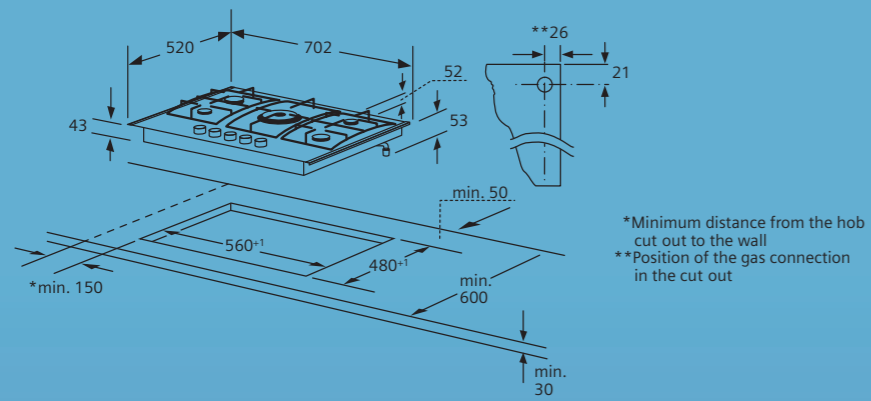
2 piece burners

Simmer cap

Factory set for connection to mains gas

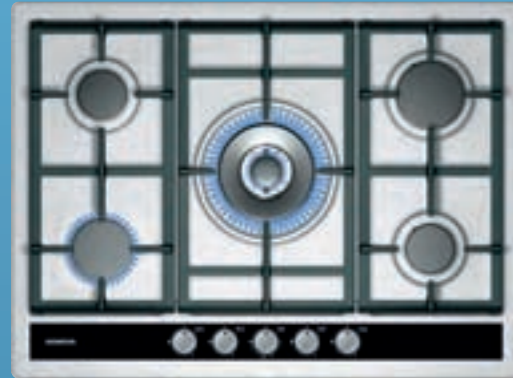
LPG jets included

iQ300 Extra wide gas hob with wok burner

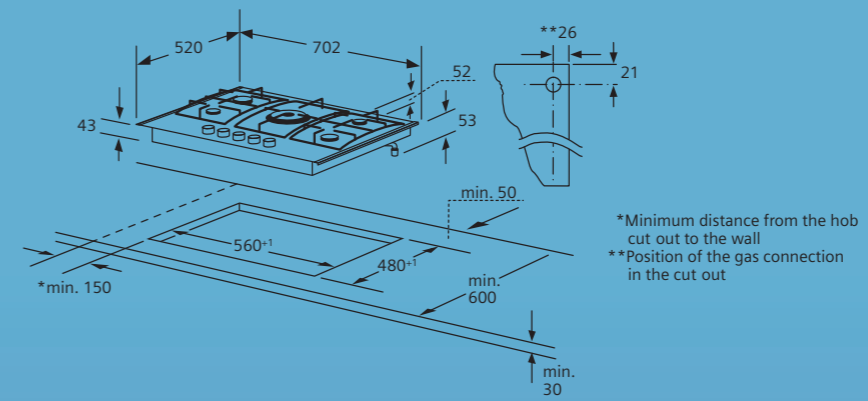


Measurements in mm

Total connected load 0.6kW

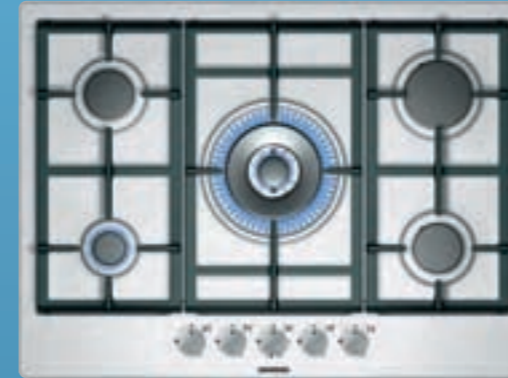


iQ300 Extra wide gas hob with wok burner



Measurements in mm

Total connected load 0.6kW



Extra wide gas hob with wok burner EC745RC90E stainless steel

702 mm wide

Front control dials mounted on inlay panel

5 burner gas hob including a dual control
wok 5.0kW style burner

Ignition via control dials
Variable power levels
Flame failure safety device

3 cast iron pan supports
2 piece burners
Simmer cap

Factory set for connection to mains gas
LPG jets included

Extra wide gas hob with wok burner EC715RC90E stainless steel

702 mm wide

Front control dials mounted on stainless
steel base

5 burner gas hob including a dual control
wok 5.0kW style burner

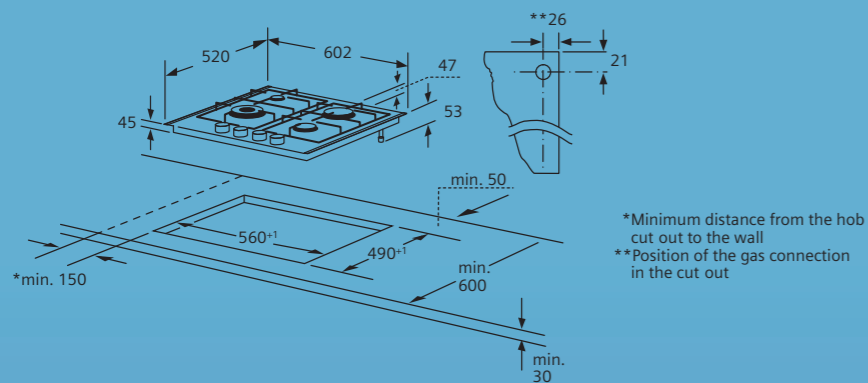
Ignition via control dials
Variable power levels
Flame failure safety device

3 cast iron pan supports
2 piece burners

Factory set for connection to mains gas
LPG jets included

The line drawings featured are provided as a guide to general dimensions only and are subject to amendment without prior notice.
For full dimensional and installation details, please refer to the documentation supplied with the appliance.

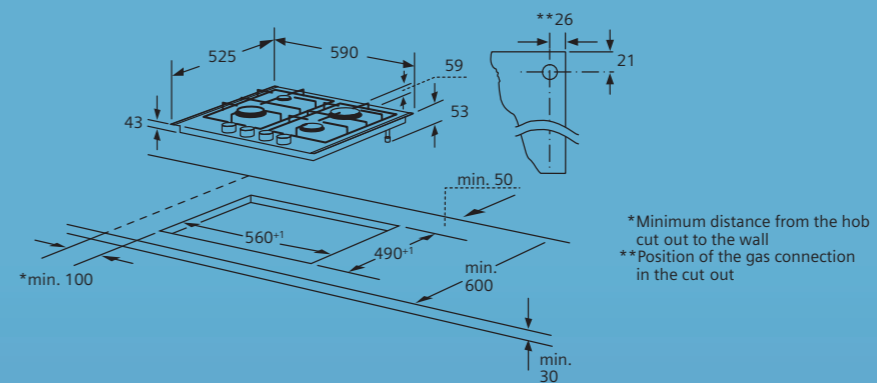
iQ 700 Gas hob with wok burner



Measurements in mm Total connected load 2.0kW



iQ 300 Gas hob



Measurements in mm Total connected load 0.6kW



Gas hob with wok burner ER626HT90E stainless steel

602 mm wide

2 cast iron pan supports
Low profile single piece burners

Stainless steel glass base with faceted front edge design and stainless steel side trims
Front control dials

Factory set for connection to mains gas
LPG jets included

4 burner gas hob including a wok 2.9kW style burner

May be installed together with a Siemens domino hob

Ignition via control dials
Variable power levels
Flame failure safety device
Touch control timer
Automatic safety switch off

Gas hob EP626PB90E stainless steel

590 mm wide

2 cast iron pan supports
2 piece burners

Stainless steel tempered glass base and stainless steel front profile
Front control dials

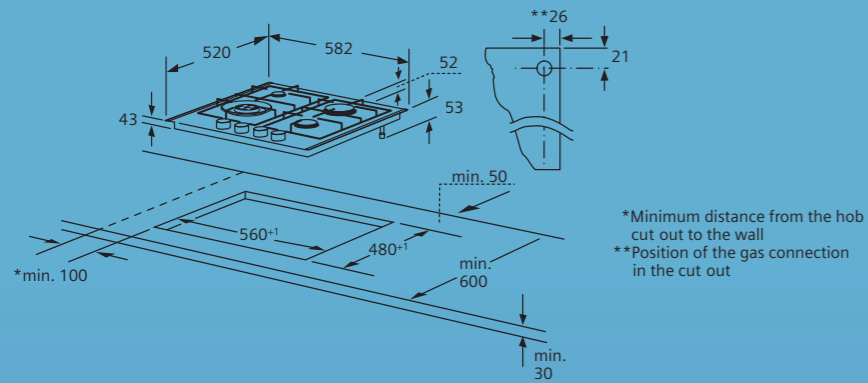
Factory set for connection to mains gas
LPG jets included

4 burner gas hob

Ignition via control dials
Variable power levels
Flame failure safety device

The line drawings featured are provided as a guide to general dimensions only and are subject to amendment without prior notice. For full dimensional and installation details, please refer to the documentation supplied with the appliance.

iQ 500 Gas hob with wok burner



Measurements in mm Total connected load 2.0kW



Gas hob with wok burner EC645HU90E stainless steel

582 mm wide

Stainless steel base
Front mounted controls on inlay panel

4 burner gas hob including a
wok 3.3kW style burner

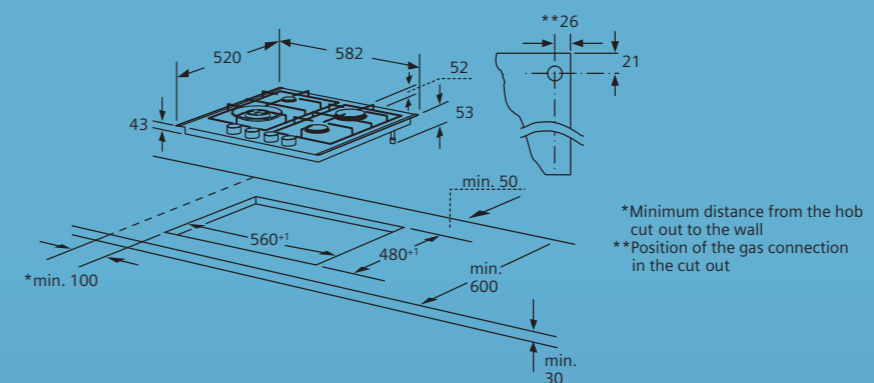
Ignition via control dials
Variable power levels
Flame failure safety device
Touch control timer
Automatic safety switch off

2 cast iron pan supports
2 piece burners
Simmer cap

Factory set for connection to mains gas
LPG jets included

The line drawings featured are provided as a guide to general dimensions only and are subject to amendment without prior notice.
For full dimensional and installation details, please refer to the documentation supplied with the appliance.

iQ 300 Gas hob with wok burner



Measurements in mm Total connected load 0.6kW



Gas hob with wok burner EC645HC90E stainless steel

582 mm wide

Stainless steel base
Front mounted controls on inlay panel

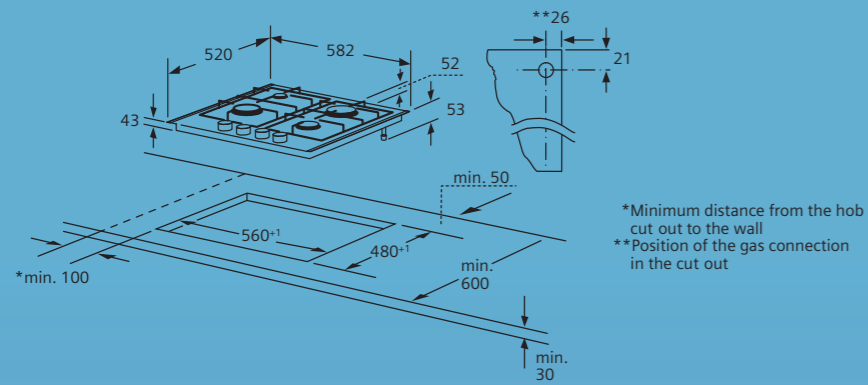
4 burner gas hob including a
wok 3.3kW style burner

Ignition via control dials
Variable power levels
Flame failure safety device

2 cast iron pan supports
2 piece burners
Simmer cap

Factory set for connection to mains gas
LPG jets included

iQ300 Gas hobs

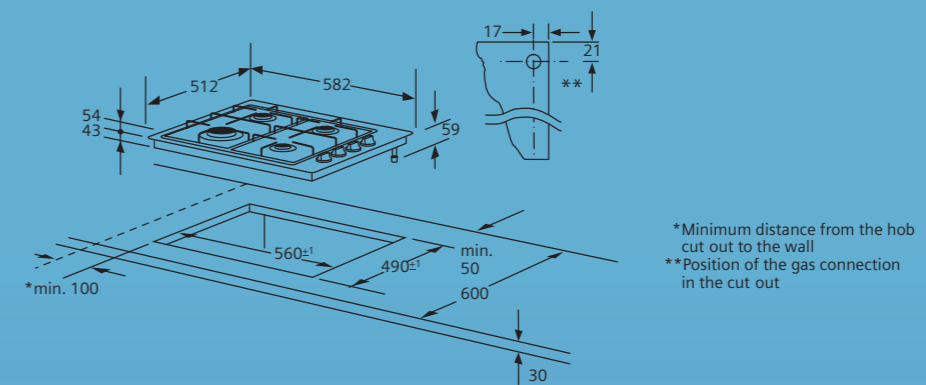


*Minimum distance from the hob cut out to the wall
**Position of the gas connection in the cut out

Measurements in mm Total connected load 0.6kW



iQ100 Gas hob with wok burner



*Minimum distance from the hob cut out to the wall
**Position of the gas connection in the cut out

Measurements in mm Total connected load 0.6kW



Gas hob EC615PB90E stainless steel

582 mm wide
Stainless steel base
Front mounted controls
4 burner gas hob
Ignition via control dials
Variable power levels
Flame failure safety device

2 cast iron pan supports
2 piece burners

Factory set for connection to mains gas
LPG jets included

Also available in black as model EC616PB90E

• Specification as left

The line drawings featured are provided as a guide to general dimensions only and are subject to amendment without prior notice.
For full dimensional and installation details, please refer to the documentation supplied with the appliance.

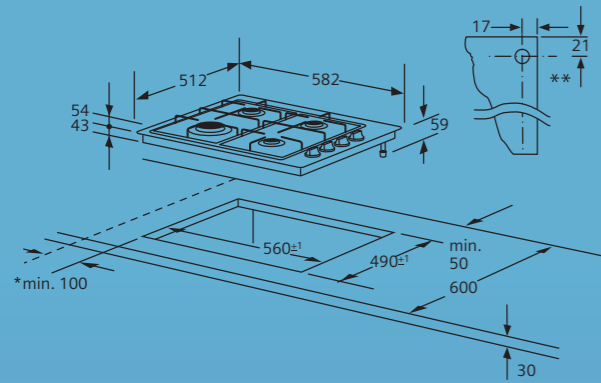
Gas hob with wok burner ER14954EU stainless steel

582 mm wide
Stainless steel base
Side mounted control dials
4 burner gas hob including a wok 3.3kW style burner
Ignition via control dials
Variable power levels
Flame failure safety device

2 cast iron pan supports
2 piece burners

Factory set for connection to mains gas
LPG jets included

iQ 100 Gas hobs

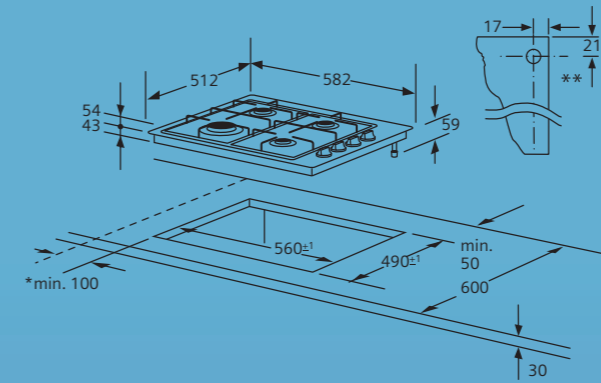


*Minimum distance from the hob cut out to the wall
 **Position of the gas connection in the cut out

Measurements in mm Total connected load 0.6kW



iQ 100 Gas hobs



*Minimum distance from the hob cut out to the wall
 **Position of the gas connection in the cut out

Measurements in mm Total connected load 0.6kW



Gas hob ER14353EU stainless steel

582 mm wide
 Stainless steel base
 Side mounted control dials

4 burner gas hob

Ignition via control dials
 Variable power levels
 Flame failure safety device

2 cast iron pan supports
 2 piece burners

Factory set for connection to mains gas
 LPG jets included

Also available in black as model
ER14363EU

• Specification as left

The line drawings featured are provided as a guide to general dimensions only and are subject to amendment without prior notice.
 For full dimensional and installation details, please refer to the documentation supplied with the appliance.

Gas hob ER14153EU stainless steel

582 mm wide
 Stainless steel base
 Side mounted control dials

4 burner gas hob

Ignition via control dials
 Variable power levels
 Flame failure safety device

2 enamelled pan supports
 2 piece burners

Factory set for connection to mains gas
 LPG jets included

Also available in black as model
ER14163EU

• Specification as left

Also available in white as model
ER14123EU

• Specification as left

Hob type	Induction hobs														Quick-lite																
	iQ700		iQ700		iQ700		iQ500		iQ500		iQ500		iQ700		iQ700		iQ500		iQ500		iQ700		iQ700		iQ300		iQ300				
Design family	EH675ME31E		EH685ME11E		EH675ME11E				EH645TE11E				EH975SK11E				EH885MB11E		EH875SB11E				EH845TL11E		EH975ME11E		ET675MG11E		ET645TF11E		
Black glass, stainless steel trim																													ET646TF11E		
Black glass, black trim																															
Black glass							EH601TE11E				EH651TE11E								EH811TL11E								ET601TF11D				
Metal look glass					EH679ME11														EH879SB11												
Design characteristics																															
Side controls																															
Front controls	●		●		●		●		●		●		●		●		●		●		●		●		●		●		●		
All around trim									●		●								●		●						●		●		
Three sided bevelled frameless finish											●																				
Flush fitting design/installation							●												●								●				
Design trim (front facette with side trim)	●				● ¹								●				● ¹				●		●								
Piezo front trim			●														●														
Metal look																															
Hob width	mm	602	602	602	572	575	592	912							810	812	792	803	912	602	572	575									
Features																															
Number of cooking zones	4		4		4		4		4		4		5		4		4		4		4		4		4		4		4		
Number of dual/extendable zones													1		1		1								2		1		1		
Number of infra-red sensor zones	2																														
Number of roasting sensor zones	2																														
Number of warming zones															1		1														
Can be installed with a Siemens domino hob	●												●												●						
Control dials																															
Electronic control	●		●		●		●		●		●		●		●		●		●		●		●		●		●		●		
Touch control	●		●		●		●		●		●		●		●		●		●		●		●		●		●		●		
touchSlider operation	●		●		●		●		●		●		●		●		●		●		●		●		●		●		●		
Metal touchSlider operation			●												●		●														
Electronic power level display	●		●		●		●		●		●		●		●		●		●		●		●		●		●		●		
Number of power levels	17		17		17		17		17		17		17		17		17		17		17		17		17		17		17		
Number of sensor power levels	max. 5																														
Power on indicator																															
Main on/off switch	●		●		●		●		●		●		●		●		●		●		●		●		●		●		●		
Timer for all zones	●		●		●		●		●		●		●		●		●		●		●		●		●		●		●		
Residual heat indicators	Hh		Hh		Hh		Hh		Hh		Hh		Hh		Hh		Hh		Hh		Hh		Hh		Hh		Hh		Hh		
Safety cut-out switch off	●		●		●		●		●		●		●		●		●		●		●		●		●		●		●		
Safety lock	●		●		●		●		●		●		●		●		●		●		●		●		●		●		●		
Control panel pause	●		●		●		●		●		●		●		●		●		●		●		●		●		●		●		
Boost setting	●		●		●		●		●		●		●		●		●		●		●		●		●		●		●		
Automatic pan recognition	●		●		●		●		●		●		●		●		●		●		●		●		●		●		●		
Super boost function													●		●																
Standard accessories																															
Glass scraper																									●		●		●		
Lava stones																															
Spatula																															
Technical information																															
Zone		Power (kW)	Diameter (mm)	Power (kW)	Diameter (mm)	Power (kW)	Diameter (mm)	Power (kW)	Diameter (mm)	Power (kW)	Diameter (mm)	Power (kW)	Diameter (mm)	Power (kW)	Diameter (mm)	Power (kW)	Diameter (mm)	Power (kW)	Diameter (mm)	Power (kW)	Diameter (mm)	Power (kW)	Diameter (mm)	Power (kW)	Diameter (mm)	Power (kW)	Diameter (mm)	Power (kW)	Diameter (mm)	Power (kW)	Diameter (mm)
Front left	kW/mm	1.8-2.5	180	1.8-2.5	180	1.8-2.5	180	1.8-2.5	180	1.8-2.5	180	1.8-2.5	180	1.8-2.5	180	1.4-1.8	145	1.8-2.5	180	2.2-3.3	210	2.2-3.3	210	1.8-2.5	180	1.2	145	1.2	145	1.2	145
Back left	kW/mm	1.8-2.5	180	1.8-2.5	180	1.8-2.5	180	1.8-2.5	180	1.8-2.5	180	1.8-2.5	180	1.8-2.5	180	1.8-2.6	180-280	1.8-2.5	180	1.4-1.8	145	1.4-1.8	145	1.8-2.5	180	0.8-2.0	120-180	2.0	180	2.0	180
Centre front	kW/mm															0.09	140-200	0.09	140-200												
Centre back	kW/mm																														
Front right	kW/mm	2.2-3.3	210	2.2-3.3	210	2.2-3.3	210	2.2-3.3	210	2.2-3.3	210	2.2-3.3	210	2.2-3.3	210	2.2-3.3	210	2.2-3.3	210	1.4-1.8	145	1.4-1.8	145	2.2-3.3	210	0.75-2.2	120-210	0.75-2.2	120-210	0.75-2.2	120-210
Back right	kW/mm	1.4-1.8	145	1.4-1.8	145	1.4-1.8	145	1.4-1.8	145	1.4-1.8	145	1.4-1.8	145	1.4-1.8	145	1.4-1.8	145	1.4-1.8	145	2.4-3.6	280	2.4-3.6	280	1.4-1.8	145	1.2	145	1.2	145	1.2	145
Nominal voltage	volts	220-240		220-240		220-240		220-240		220-240		220-240		220-240		220-240		220-240		220-240		220-240		220-240		220-240		220-240		220-240	
Total connected electrical load	watts	7200		7200		7200		7200		7200		7200		10800		7290		7290		7200		7200		7200		6600		6600		6600	
Basin capacity	litres																														
Cable length	cm	150		150		150		150		150		150		150		150		150		150		150		150		150		150		150	
Appliance weight	kg	11.5		11.6		11.7		11.5		10.9		11.1		17.6		13.7		14.2		11.5		14.1		10.8		7.8		7.2		7.3	
Safety approved		●		●		●		●		●		●		●		●		●		●		●		●		●		●		●	

● Yes, model has this feature
¹ Metal look does not have facette

Hob type	Quick-lite										Domino													
	iQ300		iQ300		iQ300		iQ700		iQ300		iQ300		iQ700		iQ700		iQ700		iQ700		iQ700			
Design family	iQ300		iQ300		iQ300		iQ700		iQ300		iQ300		iQ700		iQ700		iQ700		iQ700		iQ700			
Black glass, stainless steel trim					ET645CE11D		ET8755C11D				ET845TC11D		ET975TG11D		EH375ME11E		ET375MF11E		ET375MU11E		ET475MU11E		ET475MY11E	
Black glass, black trim																								
Black glass	ET651TF11E		ET651EE11E								ET801TC11D													
Metal look glass																								
Design characteristics																								
Side controls					●																			
Front controls	●		●		●		●		●		●		●		●		●		●		●		●	
All around trim					●						●													
Three sided bevelled frameless finish	●		●																					
Flush fitting design/installation									●															
Design trim (front facette with side trim)							●						●		●		●		●		●		●	
Piezo front trim																								
Metal look																								
Hob width	mm	592	592	576	812	792						795	912	302	302	302	392	392						
Features																								
Number of cooking zones		4	4	4	4	4						4	4	2	2	1	2	2					1	
Number of dual/extendable zones		1			3	3						3	2		1									
Number of infra-red sensor zones																								
Number of roasting sensor zones																								
Number of warming zones																								
Can be installed with a Siemens domino hob																								
Control dials																								
Electronic control		●	●	●	●	●						●	●	●	●	●	●	●	●	●	●	●	●	
Touch control		●	●	●	●	●						●	●	●	●	●	●	●	●	●	●	●	●	
touchSlider operation																								
Metal touchSlider operation																								
Electronic power level display		●	●	●	●	●						●	●	●	●	●	●	●	●	●	●	●	●	
Number of power levels		17	17	9	17	17						17	17	17	17	9	9	9					9	
Number of sensor power levels																								
Power on indicator		●	●	●	●	●						●	●	●	●	●	●	●	●	●	●	●	●	
Main on/off switch		●	●	●	●	●						●	●	●	●	●	●	●	●	●	●	●	●	
Timer for all zones		●	●	●	●	●						●	●	●	●	●	●	●	●	●	●	●	●	
Residual heat indicators		Hh	Hh	●	Hh	Hh						Hh	Hh	Hh	Hh	Hh							●	
Safety cut-out switch off		●	●	●	●	●						●	●	●	●	●	●	●	●	●	●	●	●	
Safety lock		●	●	●	●	●						●	●	●	●	●	●	●	●	●	●	●	●	
Control panel pause																								
Boost setting																								
Automatic pan recognition																								
Super boost function																								
Standard accessories																								
Glass scraper		●	●	●	●	●						●	●											
Lava stones																								
Spatula																							●	
Technical information																								
Zone		Power (kW)	Diameter (mm)	Power (kW)	Diameter (mm)	Power (kW)	Diameter (mm)	Power (kW)	Diameter (mm)	Power (kW)	Diameter (mm)	Power (kW)	Diameter (mm)	Power (kW)	Diameter (mm)	Power (kW)	Diameter (mm)	Power (kW)	Diameter (mm)	Power (kW)	Diameter (mm)	Power (kW)	Diameter (mm)	
Front left	kW/mm	1.2	145	1.2	145	1.2	145	0.9-2.2	120-210	0.9-2.2	120-210	0.9-2.2	120-210	1.5-2.4	180-230									
Back left	kW/mm	0.75-2.2	120-210	2.0	180	2.2	210	1.2	145	1.2	145	1.2	145	1.2	145	1.4-1.8	145	1.2	145					
Centre front	kW/mm																			2.4	380x210	1.7	370x300	
Centre back	kW/mm							1.5-2.4	180-230	1.5-2.4	180-230	1.5-2.4	180-230									1.7	370x300	
Front right	kW/mm	2.0	180	2.2	210	2.0	180	0.9-1.75-2.1	145-200-350	0.9-1.75-2.1	145-200-350	0.9-1.75-2.1	145-200-350	1.2	145	2.2-3.3	210	0.8-2.0	120-180					
Back right	kW/mm	1.2	145	1.2	145	1.2	145							0.8-2.0	120-180									
Nominal voltage	volts	220-240		220-240		220-240		220-240		220-240		220-240		220-240		220-240		220-240		220-240		220-240		
Total connected electrical load	watts	6600		6600		6600		7900		7900		7900		6800		3600		3200		2400		3400		
Basin capacity	litres																					2.5		
Cable length	cm																					150		
Appliance weight	kg	7.7		7.3		7.6		10.8		10.3		10.7		8.7		6.1		4.7		12.1		15.3		
Safety approved		●		●		●		●		●		●		●		●		●		●		●		

● Yes, model has this feature

¹ Metal look does not have facette

Hob type	Gas																Domino	
	iQ300	iQ700	iQ700	iQ300	iQ500	iQ500	iQ300	iQ300	iQ700	iQ300	iQ500	iQ300	iQ300	iQ100	iQ100	iQ100	iQ700	iQ700
Design family	EC945TB90E	ER726RF90E	ER726RT90E	EP726QB90E	EC745RF90E	EC745RU90E	EC745RC90E	EC715RC90E	ER626HT90E	EP626PB90E	EC645HU90E	EC645HC90E	EC615PB90E	ER14954EU	ER14353EU	ER14153EU	ER326BB90E	ER326AB90E
Stainless steel/stainless steel trim																		
Black													EC616PB90E		ER14363EU	ER14163EU		
White															ER14123EU			
Design characteristics																		
Side controls																		
Front controls	●	●	●	●	●	●	●	●	●	●	●	●	●	●	●	●	●	●
Ceramic glass base		●	●						●								●	●
Tempered glass base				●						●								
Metal/steel base	●				●	●	●	●			●	●	●	●	●	●		
Design trim (front facette with side trim)		●	●						●			●	●	●	●		●	●
Hob width mm	915	710	710	710	702	702	702	702	602	590	582	582	582	582	582	582	302	302
Features																		
Glass control panel insert	●				●	●	●				●	●						
Number of cooking zones	6	5	5	5	5	5	5	5	4	4	4	4	4	4	4	4	2	1
Number of wok style burners	2	1	1	1	1	1	1	1	1		1	1		1				1
Dual control wok burner		●	●		●	●	●	●										●
Can be installed with a Siemens domino hob		●	●						●								●	●
Control dials	●	●	●	●	●	●	●	●	●	●	●	●	●	●	●	●	●	●
Pre-set for natural gas	●	●	●	●	●	●	●	●	●	●	●	●	●	●	●	●	●	●
flameTronic control		●			●	●	●	●			●	●	●	●	●	●	●	●
Electronic display		●			●													
Electronic ignition (turn only)		●			●													
Ignition via control dials (push and turn)	●		●	●		●	●	●	●	●	●	●	●	●	●	●	●	●
Automatic burner re-ignition		●			●													
Variable power levels	●	●	●	●	●	●	●	●	●	●	●	●	●	●	●	●	●	●
Main switch		●			●													
Power on indicator		●			●													
Residual heat indicators		●			●													
Flame failure safety device	●	●	●	●	●	●	●	●	●	●	●	●	●	●	●	●	●	●
Touch control timer		●	●		●	●	●		●		●	●		●	●		●	●
Safety cut-out switch off		●	●		●	●			●		●	●						
Cast iron pan supports	3	2	2	2	3	3	3	3	2	2	2	2	2	2	2	2	1	1
Enamelled pan supports																2		
Low profile single piece burners		●	●						●								●	●
Two piece burners	●			●	●	●	●	●		●	●	●	●	●	●	●	●	●
Simmer cap					●	●	●				●	●						
Standard accessories																		
LPG jets	28-30/37mbar	28-30/37mbar	28-30/37mbar	28-30/37mbar	28-30/37mbar	28-30/37mbar	28-30/37mbar	28-30/37mbar	28-30/37mbar	28-30/37mbar	28-30/37mbar	28-30/37mbar	28-30/37mbar	28-30/37mbar	28-30/37mbar	28-30/37mbar	28-30/37mbar	28-30/37mbar
Wok stand		●	●															
Technical information																		
Front left zone power kW	3.3	1.9	1.9	1.0	1.0	1.0	1.0	1.0	2.85	1.7	3.3	3.3	1.7	3.6	3.0	3.0		
Back/back zone left power kW	1.0	1.9	1.9	1.7	1.7	1.7	1.7	1.7	1.1	1.7	1.7	1.7	1.7	1.7	1.7	1.7	2.8	
Centre/centre front zone power kW	1.0	4.2	4.2	3.6	5.0	5.0	5.0	5.0										6.0
Centre back zone power kW	1.7																	
Front/front right zone power kW	3.3	1.1	1.1	1.7	1.7	1.7	1.7	1.7	1.9	1.0	1.0	1.0	1.0	1.0	1.0	1.0	1.9	
Back right zone power kW	1.7	2.8	2.8	3.0	3.0	3.0	3.0	3.0	2.8	3.0	3.0	3.0	3.0	1.7	1.7	1.7		
Nominal voltage V	220-240	220-240	220-240	220-240	220-240	220-240	220-240	220-240	220-240	220-240	220-240	220-240	220-240	220-240	220-240	220-240	220-240	220-240
Maximum gas power output load watts	12000	11900	11900	11000	12400	12400	12400	12400	8650	7400	9000	9000	7400	8000	7400	7400	4700	6000
Total connected electrical load watts	0.6	3.0	2.0	0.6	3.0	2.0	0.6	0.6	2.0	0.6	2.0	0.6	0.6	0.6	0.6	0.6	0.6	0.6
Cable length cm	150	100	100	100	100	100	100	100	100	100	100	100	100	100	100	100	100	100
Appliance weight kg	17.2	14.9	14.9	18.2	14.8	14.8	14.8	14.8	12.3	12.7	11.3	11.3	10.2	10.8	12.3	8.5	6.4	8.1
Safety approved	●	●	●	●	●	●	●	●	●	●	●	●	●	●	●	●	●	●

● Yes, model has this feature