



## Smart living

Introducing our **brand new range of fully co-ordinated appliances**. Good looking on their own and fabulous together, they're not labelled **iQ** for nothing!

The collection includes a steam oven, combination steam oven, pyroKlean multi-function oven and a pyroKlean oven with microwave, activeKlean oven with microwave and a coffee centre. To complement the range, Siemens also offer built-in microwaves and warming drawers.

One of the major driving forces behind the creation of Siemens' brand new **iQ** range was to offer the customer the ability to achieve seamless design co-ordination between appliances. So the range comes in two distinct variants: **iQ 500** and **iQ 700** that covers almost every kitchen appliance that we make. With all the pieces designed to combine effortlessly with each other.

### **iQ 500**

#### The range

Oozing class and refinement, these machines unite first-class features with top-class technology.

### **iQ 700**

#### The range

Radical design allied with seriously innovative technology is the basis of these, our premium models.



## All compact45 ovens, both with and without microwave, share a number of smart and practical features and benefits.

The oven, like all the compact appliances, benefits from the customary high Siemens standards of styling and design.

### lightControl

Featuring the same electronic control concept as the single ovens, the Siemens range of **IQ700** compact ovens co-ordinate perfectly with full sized single ovens when installed in a column. The interactive clearText display guides you easily through the available settings and when not in use, the central control dial can be retracted so it is flush with the rest of the fascia.



### Multi-function cooking

Siemens offers four compact45 multi-function ovens in the **IQ700** and **IQ500** ranges – one with pyroKlean, two combination ovens with integral microwave and one combination model featuring pyroKlean and microwave. The multi-function ovens offer up to 12 functions plus pre-set automatic programmes – simply select the food type, enter the weight and the oven does the rest. Plus, use one of the memory positions to store your favourite recipes to ensure it is cooked to perfection every time!

### Multi-function oven with microwave

The Siemens **IQ700** compact45 HB86K572B is primarily a normal multi-function oven, but offers the option of a microwave function, which can be used independently or in combination with many of the standard cooking functions. Perfect for those occasions when traditional results are needed, but in a fraction of the time. And that's not all – choose from one of the 70 automatic defrost, cooking and combination programmes for perfect results every time!

The **IQ500** compact45 HB84K552B offers design co-ordination with other **IQ500** compact45 models, 6 functions and 20 automatic programmes.

### Multifunction oven with pyroKlean and microwave

Why not combine in column an **IQ700** compact45 oven with pyroKlean and microwave (HB86P572B) with one of our **IQ700** pyroKlean single ovens? Offering the same features as the oven with microwave. Such an installation will not only deliver complete cooking flexibility, but also delivers a massive 98 litres capacity – even more than a typical double oven – and because both ovens are pyroKlean, it means you need not clean either oven manually ever again.



### Perfect co-ordination

All Siemens compact45 in the **IQ700** range co-ordinate with each other perfectly. Whether you are aiming for clean, vertical lines or are positioning two or three models side by side, everything lines up perfectly. If placing a compact45 model next to a single oven, for optimum co-ordination we recommend using compact models from the **IQ700** range together with the HB78AB590B single oven with reduced height fascia.



Stylish built-in microwaves not only look good but free up valuable worktop space.



#### Microwaves and microwave combination ovens

Over the past few years microwaves have become a must have addition to most UK kitchens, providing speed and convenience when needed. Siemens has a range of compact microwave-based models ranging from simple 800W microwaves to more sophisticated versions incorporating quartz grills and heating elements to replicate traditional cooking and provide combination cooking options.

#### iQ 500 models

There are three models in the **iQ 500** range – a compact 45 microwave combination oven and a compact 45 microwave, plus a microwave oven designed for installation in a wall unit. These models feature the Siemens day/night fascia design and will co-ordinate with **iQ 500** single ovens.

These three models all feature innowave technology, which uses electronics to improve efficiency and reduce energy consumption by 15% when compared to traditional microwave technology.



#### Standard microwaves

Siemens also offer a range of microwaves with side control panel and fitting frame, including models with and without grill. The options include models for installation in tall housing units or in wall cabinets and all feature a choice of five microwave power levels, electronic control and automatic weight defrost and cooking programmes.

#### Stainless steel interior

All Siemens microwaves and microwave combination ovens feature a durable and easy to clean stainless steel interior. **iQ 500** models utilise microwaves fed from below the ceramic base of the appliance while standard models use glass turntables to ensure effective microwave distribution.

#### Automatic cooking programmes and recipe memory settings

Each model in the Siemens microwave and microwave combination oven range features weight automatic cooking and defrost programmes – simply enter the food type and weight and let the appliance do the rest. Most models offer at least one memory position so you can store your favourite recipes.

#### Three stage programming

The **iQ 500** models all allow the user to programme the appliance to run up to three consecutive power levels and cooking times.



## These new built-in compact45 steam ovens by Siemens are a real all round talent.

Thanks to the multi-operational features on our steam ovens, you can cook gently with steam, bake and roast with hot air or even do both at the same time. And now with the introduction of an additional entry-level model, the benefits of steam cooking are even more accessible.



### How does it work?

Siemens **iQ700** and **iQ500** steam and steam combination ovens are quick and easy to install – the removable water tank has sufficient capacity to provide up to 70 minutes steam cooking at full power and means the appliance does not need plumbing in. Water is fed into the oven cavity and heated by a powerful element in the base of the appliance. This ensures maximum efficiency, as the appliance is only heating the amount of water needed for the cooking process. The ovens are thermostatically controlled to allow steam temperatures of 35-100°C – ideal for all types of fish, meat, poultry and vegetables.

### Benefits of cooking using steam

Steam and steam combination cooking is used extensively in commercial catering and baking as it ensures moist and tender results. But that is not all. Steam cooking is gentler than traditional cooking methods, which not only deliver food that is tender and with no loss of texture, but also ensures taste and colour is retained. Less of the vital vitamins and minerals and nutrients are lost with steam cooking, which also means there is no need to add salt or oil.

### Steam combination cooking

Pure steam cooking has its benefits (see right) but it may not be the ideal option for foods that need browning and crisping. This is where the steam combination oven comes into its own. Combining traditional hot air cooking with steam cooking delivers moist, tender and browned meats and well risen, crusty bread. Moist and tender pork with crispy crackling is perfectly cooked using the combination appliance.

### Hot air cooking

Cooks at a temperature range of 30-230°C – ideal for traditional baking and roasting. Great for midweek meals when a smaller capacity is required.

### Reheating

Reheating leftovers or food for latecomers using steam ensures the food is refreshed, moist and retains its texture – it also uses less energy than other methods.

### Cleaning and de-scaling

Siemens **iQ700** and **iQ500** steam combination ovens feature durable high quality stainless steel interiors and catering quality stainless accessories for easy cleaning. These models offer a dedicated descaling programme and the **iQ700** models also have a cleaning programme. The electronic display will advise when the cleaning and descaling programmes need to be run.

### Automatic programmes

Choose any one of up to 70 specially tested automatic cooking programmes for perfect results every time. Simply select the food type, enter the weight and press the start button!

### Perfect co-ordination

All Siemens compact45 in the **iQ700** range co-ordinate with each other perfectly. Whether you are aiming for clean, vertical lines or are positioning two or three models side by side, everything lines up perfectly. If placing a compact45 model next to a single oven, for optimum co-ordination we recommend using compact models from the **iQ700** range together with the HB78AB590B single oven with reduced height fascia.



This sophisticated fully automatic compact **45** built-in coffee centre makes all kinds of hot drinks with flair.



#### Flavour with flair

Astonishingly, there are 800 sub-flavours in a cup of espresso, and for it to achieve perfection they must be allowed to unfold fully. For this to happen, the water must be sustained at the ideal temperature for 30 seconds during the brewing process. With our new **Senso Flow System**, this is now possible, giving you perfect flavour every time and anytime. And with minimal heat up time and minimum standby power, it's also a unique, energy-saving feature.



#### Crema with flair

A golden-brown, creamy and long-lasting crema is the trademark of a really good espresso. To achieve this a constant pressure is key in extracting the maximum flavour from the beans. Preparing espresso requires the talents and instinct of a first class barista. With the coffee centre, we have built those skills into the very fabric of the machine. The 'aroma pressure system' automatically achieves the ideal, continuous pressure and therefore the perfect brewing result, for every single cup.

The tamper has been designed with a convex shape, that allows even more flavour to be released from the ground coffee. So no matter how much coffee you use, you'll always end up with the perfect crema. Automatically.

#### Simplicity with flair

A fine milky foam, frothy as lightly whipped cream. That's the basis of the ultimate cappuccino. The ingenious swivel arm is simplicity itself to use and an optimised swirling process inside the milk nozzle/jet produces the ultimate in fine, milky foam for the perfect result every time.

We also brought a lot of in-depth thinking to the subject of milk. The result – completely new product ergonomics and a totally separate milk system separate from the coffee part.



#### Design with flair

Espresso connoisseurs who are enthralled by the entire espresso-making process will love the transparency and intuitive operation of our coffee centre. As well as drawing attention to the bean container and the water tank, an innovative lighting concept highlights the individual stages of the entire process.

The stylish **warming drawers** co-ordinate with all ovens and the **compact45** range.



#### Be prepared

Dinner party guests are running late? A Siemens warming drawer is the ideal solution! Designed to co-ordinate with Siemens ovens and compact45 models, the range consists of models in 29cm or 14cm height, with four temperature options ranging from 40-80°C. 14cm models are available with co-ordinating handle or with a handleless "push-pull" mechanism and new for 2009 is a design co-ordinated accessory drawer. Whether you are keeping food warm, warming crockery or in need of extra storage space, a Siemens warming or accessory drawer is a must have for the modern kitchen.



#### Easy access

The fully extendible pull out drawer allows easy access to the contents and can accommodate up to 25kg (15kg for the accessory drawer).



#### Cleaning made simple

The warming drawer's easy clean smooth and hard wearing ceramic glass base is recessed, which allows for any spills to be easily contained.

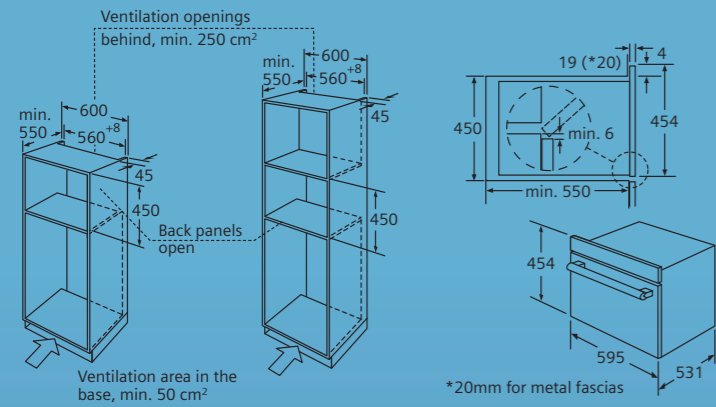
#### More than just drawers

The on/off indicator light lets you check at a glance whether the warming drawer has been turned off. The drawers are suitable for dinnerware warming and also food warming. They can take up to either 6 or 12 place settings, can be used to safely and hygienically keep food hot for up to 1 hour and can also be used to prove dough, gently thaw delicate items and warm up breads and pancakes.

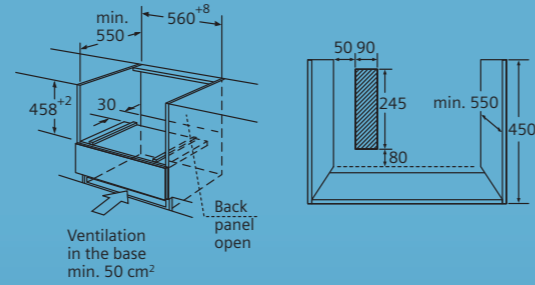
Depending on what you want the drawer to do, the adjustable temperature range allows the temperature to be adjusted from 40°C-80°C.



# iQ700 Compact45 multi-function pyroKlean oven



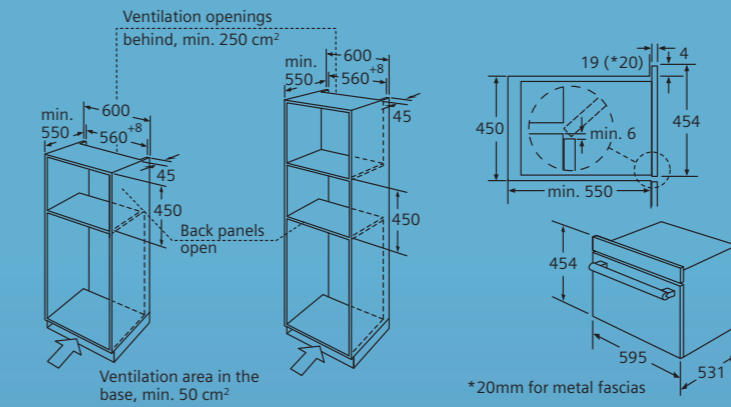
Measurements in mm



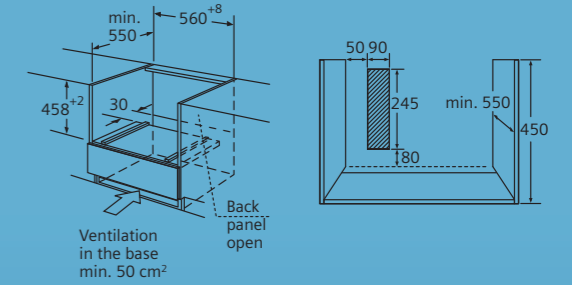
Total connected load 3.6kW



# iQ700 Compact45 multi-function pyroKlean oven with microwave



Measurements in mm



Total connected load 3.6kW



## Compact45 multi-function pyroKlean oven HB36P572B stainless steel

- Day/night glass and metal fascia
- Full metal central control dial
- Illuminated control dial
- lightControl
- White display with blue indicator lights
- Push buttons
- Bar handle
- Colour co ordinated handle fixing blocks
- Seamless fascia and door frame design
- Flush fitting door

- Electronic control
- Digital clearText display
- Digital temperature display with proposal
- Digital symbol and function display
- Heating up indicator
- Actual temperature display
- Residual heat indicator
- Electronic clock timer
- Automatic on/off programmer
- 1 retractable control dial
- Fast heating up

- 1 interior halogen light
- Electronic door lock
- Safety lock
- Door locking
- Automatic safety switch off
- Moulded enamelled oven interior
- 3 shelf positions
- Triple door glazing
- Heat reflective glass
- Drop down door

- 9 main functions: 3D hot air cooking, intensive hot air, three stage variable grill, dual zone grill, hot air grilling, conventional, bottom heat, hydroBaking, intensive conventional heat

- Plate warming
- Hold warm
- Low temperature cooking

- 15 automatic cooking programmes
- 1 memory function
- pyroKlean cleaning
- Full width enamelled pan
- Wire pan insert
- Wire shelf
- Installation in tall housing unit
- Installation in base unit/under work surface
- Oven capacity 35 litres/1.31 cu.ft

Energy efficiency rating A



The line drawings featured are provided as a guide to general dimensions only and are subject to amendment without prior notice. For full dimensional and installation details, please refer to the documentation supplied with the appliance.

## Compact45 multi-function pyroKlean oven with microwave HB86P572B stainless steel

- Day/night glass and metal fascia
- Full metal central control dial
- Illuminated control dial
- lightControl
- White display with blue indicator lights
- Push buttons
- Bar handle
- Colour co ordinated handle fixing blocks
- Seamless fascia and door frame design
- Flush fitting door

- Electronic control
- Digital clearText display
- Digital temperature display with proposal
- Digital symbol and function display
- Heating up indicator
- Actual temperature display
- Residual heat indicator
- Electronic clock timer
- Automatic on/off programmer
- 1 retractable control dial
- Fast heating up

- 1 interior halogen light
- Electronic door lock

- Safety lock
- Door locking
- Automatic safety switch off
- Moulded enamelled oven interior
- 3 shelf positions
- Triple door glazing
- Heat reflective glass
- Drop down door

- 12 main functions: 3D hot air cooking, intensive hot air, three stage variable grill, dual zone grill, hot air grilling, conventional, bottom heat, intensive conventional heat, microwave, combination operation, microwave combination high, microwave combination low

- Plate warming
- Hold warm
- Low temperature cooking

- 12 automatic cooking programmes
- 14 automatic defrost programmes
- 44 automatic combination programmes
- 3 programmable steps
- 6 memory functions

- pyroKlean cleaning
- Full width enamelled pan
- Wire pan insert
- Wire shelf
- Installation in tall housing unit
- Installation in base unit/under work surface
- Oven capacity 42 litres/1.49 cu.ft

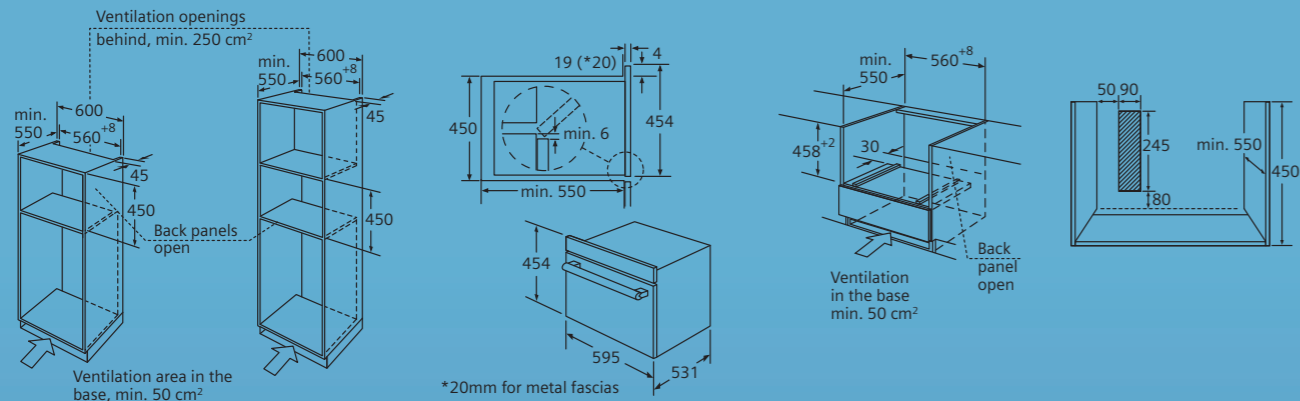


Also available in black as model HB86P672B\*

- Specification as left

\* Available Autumn 2009

# iQ 700 Compact45 multi-function oven with microwave

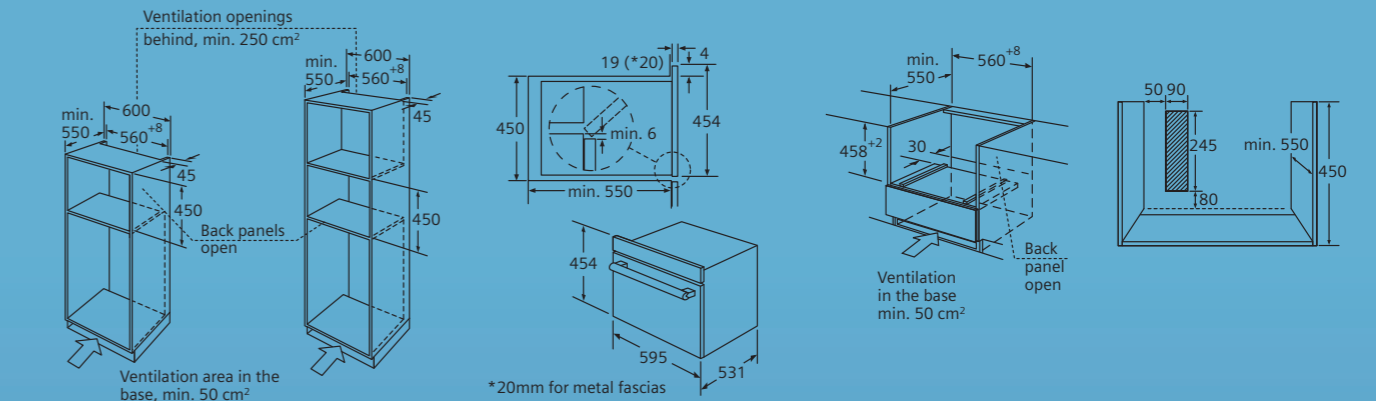


Measurements in mm

Total connected load 3.6kW



# iQ 500 Compact45 multi-function oven with microwave



Measurements in mm

Total connected load 1.9kW



## Compact45 multi-function oven with microwave HB86K572B stainless steel

- Day/night glass and metal fascia
- Full metal central control dial
- Illuminated control dial
- lightControl
- White display with blue indicator lights
- Push buttons
- Bar handle
- Colour coordinated handle fixing blocks
- Seamless fascia and door frame design
- Flush fitting door

- Electronic control
- Digital clearText display
- Digital temperature display with proposal
- Digital symbol and function display
- Heating up indicator
- Actual temperature display
- Residual heat indicator
- Electronic clock timer
- Automatic on/off programmer
- 1 retractable control dial
- Fast heating up

- 1 interior halogen light
- Safety lock
- Automatic safety switch off
- Moulded enamelled oven interior
- 3 shelf positions
- Triple door glazing
- Heat reflective glass
- Drop down door

- 12 main functions: 3D hot air cooking, intensive hot air, three stage variable grill, dual zone grill, hot air grilling, conventional, bottom heat, intensive conventional heat, microwave, combination operation, microwave combination high, microwave combination low

- Plate warming
- Hold warm
- Low temperature cooking

- 12 automatic cooking programmes
- 14 automatic defrost programmes
- 44 automatic combination programmes
- 3 programmable steps
- 6 memory functions

- Catalytic back liner
- Catalytic roof liner

- Full width enamelled pan
- Wire pan insert
- Wire shelf

- Installation in tall housing unit
- Installation in base unit/under work surface
- Oven capacity 42 litres/1.49 cu.ft



The line drawings featured are provided as a guide to general dimensions only and are subject to amendment without prior notice. For full dimensional and installation details, please refer to the documentation supplied with the appliance.

## Compact45 multi-function oven with microwave HB84K552B\*

- Day/night glass and metal fascia
- Control dials with metal cap
- White display with blue indicator lights
- Push buttons
- Bar handle
- Colour coordinated handle fixing blocks
- Seamless fascia and door frame design
- Flush fitting door

- Electronic control
- Electronic clock
- Timer
- 2 retractable controls
- 1 interior light
- Safety lock
- Automatic safety switch off
- Moulded enamelled oven interior
- 3 shelf positions
- Triple door glazing
- Heat reflective glass
- Drop down door

- 6 main functions: intensive hot air, three stage variable grilling, hot air grilling, conventional, microwave, combination operation

- 5 automatic cooking programmes
- 5 automatic defrost programmes
- 10 automatic combination programmes
- 3 programmable steps

- Catalytic back liner

- Full width enamelled pan
- Wire pan insert

- Installation in tall housing unit
- Installation in base unit/under work surface
- Oven capacity 42 litres/1.49 cu.ft



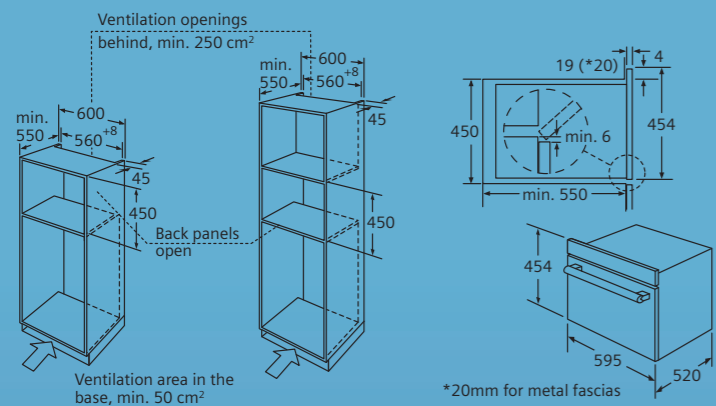
Also available in black as model HB84K652B\*

- Specification as left except:
- Steel controls and handle

\*Available Autumn 2009



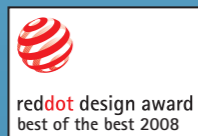
# iQ700 Compact45 steam hot air combination oven



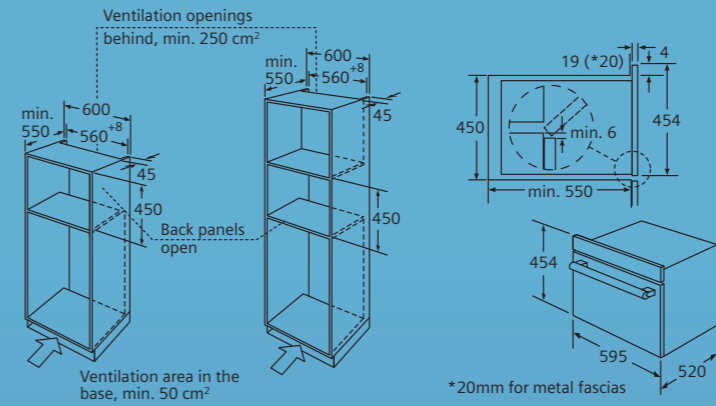
Measurements in mm

\*20mm for metal fascias

Total connected load 1.9kW



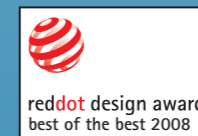
# iQ700 Compact45 steam oven



Measurements in mm

\*20mm for metal fascias

Total connected load 1.9kW



## Compact45 steam hot air combination oven HB36D572B stainless steel

- Day/night glass and metal fascia
- Full metal central control dial
- Illuminated control dial
- lightControl
- White display with blue indicator lights
- Push buttons
- Bar handle
- Colour coordinated handle fixing blocks
- Seamless fascia and door frame design
- Flush fitting door

- Electronic control
- Digital clear text display
- Digital temperature display with proposal
- Digital symbol and function display
- Heating up indicator
- Residual heat indicator
- Electronic clock
- Timer
- 1 retractable control dial
- 1 interior halogen light

- Tank empty indicator
- Safety lock
- Automatic safety switch off
- Smooth steel oven interior
- Removable wire shelf support rails
- 4 shelf positions
- Full glass inner door
- Double door glazing
- Drop down door

5 main functions: intensive hot air, defrost, steam, hot air and steam combined, reheating

- Dough proving
- Low temperature cooking
- Hold warm
- Plate warming
- Cleaning programme
- Descaling programme
- Memory function
- 70 automatic programmes

- 1 Gastronorm 1/3 perforated tray, 40mm deep
- 1 Gastronorm 1/3 solid tray, 40mm deep
- 1 Gastronorm 2/3 perforated tray, 40mm deep
- 1 Gastronorm 2/3 solid tray, 28mm deep
- Wire shelf

Installation in tall housing unit  
Installation in base unit/under work surface  
Oven capacity 32 litres/1.12 cu.ft

Energy efficiency rating A



## Compact45 steam oven HB26D552B stainless steel

- Day/night glass and metal fascia
- Full metal central control dial
- Illuminated control dial
- lightControl
- White display with blue indicator lights
- Push buttons
- Bar handle
- Colour coordinated handle fixing blocks
- Seamless fascia and door frame design
- Flush fitting door

- Electronic control
- Digital clear text display
- Digital temperature display with proposal
- Digital symbol and function display
- Heating up indicator
- Residual heat indicator
- Electronic clock
- Timer
- 1 retractable control dial
- 1 interior light

- Tank empty indicator
- Safety lock
- Automatic safety switch off
- Smooth steel oven interior
- Removable wire shelf support rails
- 4 shelf positions
- Full glass inner door
- Double door glazing
- Drop down door

3 main functions: defrost, steam, reheating

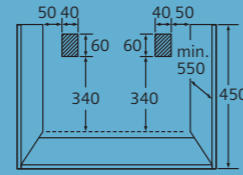
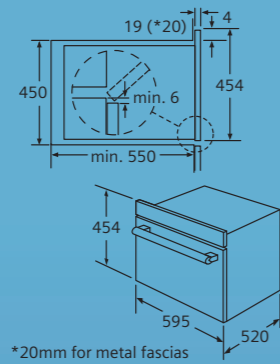
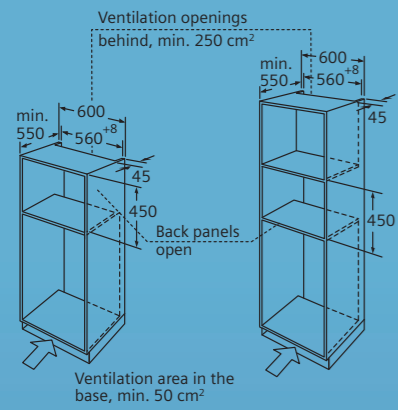
- Dough proving
- Cleaning programme
- Descaling programme
- Memory function
- 40 automatic programmes

- 1 Gastronorm 2/3 perforated tray, 40mm deep
- 1 Gastronorm 2/3 solid tray, 40mm deep
- Wire shelf
- Installation in tall housing unit
- Installation in base unit/under work surface
- Oven capacity 35 litres/1.31 cu.ft



The line drawings featured are provided as a guide to general dimensions only and are subject to amendment without prior notice. For full dimensional and installation details, please refer to the documentation supplied with the appliance.

## iQ 500 Compact45 steam oven

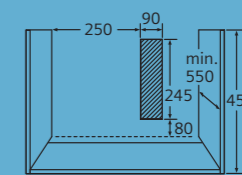
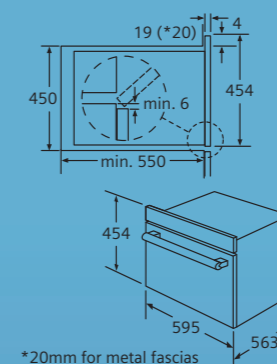
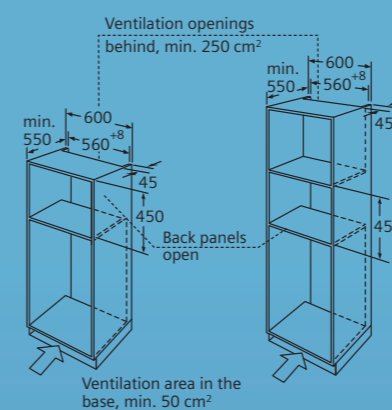


Measurements in mm

Total connected load 1.9kW



## iQ 500 Compact45 microwave combination oven



Measurements in mm

Total connected load 3.24kW



### Compact45 steam oven HB24D552B stainless steel

Day/night glass and metal fascia  
Control dials with metal cap  
White display with blue indicator lights  
Push buttons  
Bar handle  
Colour coordinated handle fixing blocks  
Seamless fascia and door frame design  
Flush fitting door

Electronic control  
Electronic clock  
Timer  
2 retractable control dials  
1 interior light

Tank empty indicator  
Safety lock  
Automatic safety switch off  
Smooth steel oven interior  
Removable wire shelf support rails  
4 shelf positions  
Full glass inner door  
Double door glazing  
Drop down door

2 main functions: defrost, steam  
  
Descaling programme  
Memory function  
20 automatic programmes

1 Gastronorm <sup>2</sup>/<sub>3</sub> perforated tray,  
40mm deep  
1 Gastronorm <sup>2</sup>/<sub>3</sub> solid tray,  
40mm deep

Installation in tall housing unit  
Installation in base unit/under work surface  
Oven capacity 35 litres/1.31 cu.ft



Also available in black as  
model HB24D652B\*

• Specification as left

\*Available Autumn 2009

### Compact45 microwave combination oven HB84E562B stainless steel

Day/night glass and metal fascia  
Control dials with metal cap  
White display with blue indicator lights  
Push buttons  
Bar handle  
Colour coordinated handle fixing blocks  
Seamless fascia and door frame design  
Flush fitting door

Electronic control  
Electronic clock  
Timer  
2 retractable control dials  
Fast heating up  
1 interior halogen light

Safety lock  
Stainless steel interior  
4 shelf positions  
Drop down door

6 main functions: hot air,  
three stage variable grilling, dual zone grill,  
hot air grilling, microwave, combination  
operation

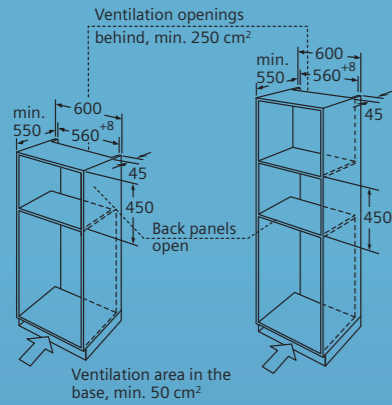
5 automatic defrost programmes  
10 automatic combination programmes  
3 programmable steps  
Catalytic back liner  
1 enamelled pan  
1 wire shelf

Installation in tall housing unit  
Installation in base unit/under work surface  
Oven capacity 36 litres/1.28 cu.ft

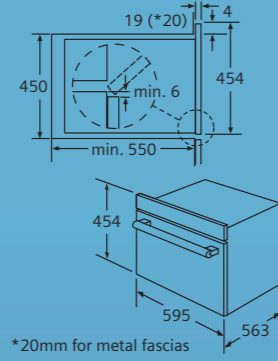


The line drawings featured are provided as a guide to general dimensions only and are subject to amendment without prior notice.  
For full dimensional and installation details, please refer to the documentation supplied with the appliance.

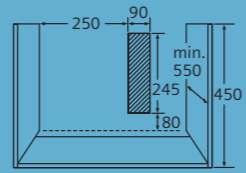
# iQ 500 Compact45 microwave oven



Measurements in mm



\*20mm for metal fascias



Total connected load 1.22kW

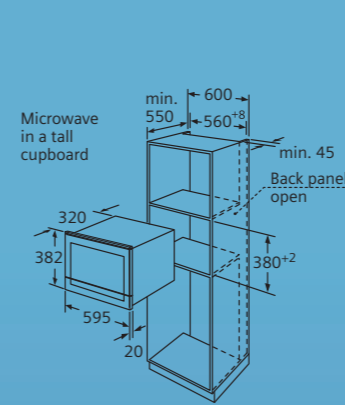


## Compact45 microwave oven HF35M562B stainless steel

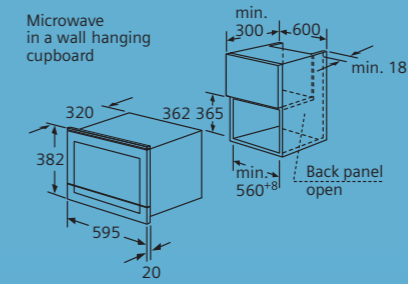
- |  |  |
|--|--|
| Day/night glass and metal fascia         | 1 main function: microwave                   |
| Control dials with metal cap             |  |
| White display with blue indicator lights | 5 automatic cooking programmes               |
| Push buttons                             | 4 automatic defrost programmes               |
| Bar handle                               | 3 programmable steps                         |
| Colour coordinated handle fixing blocks  | 2 memory functions                           |
| Seamless fascia and door frame design    |  |
| Flush fitting door                       | Installation in tall housing unit            |
|  | Installation in base unit/under work surface |
|  | Oven capacity 36 litres/1.28 cu.ft           |
| Electronic control                       |  |
| Electronic clock                         |  |
| Timer                                    |  |
| 1 retractable control dial               |  |
| 1 interior halogen light                 |  |
| Stainless steel interior                 |  |
| Drop down door                           |  |

The line drawings featured are provided as a guide to general dimensions only and are subject to amendment without prior notice. For full dimensional and installation details, please refer to the documentation supplied with the appliance.

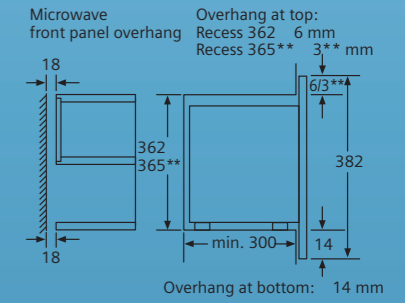
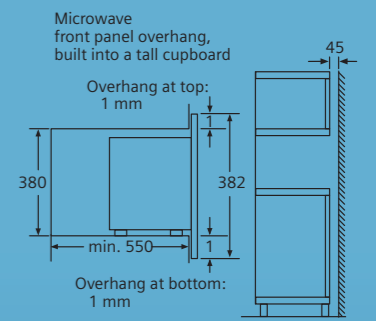
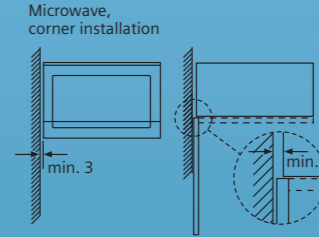
# iQ 500 Microwave ovens



Measurements in mm



Total connected load 1.22kW



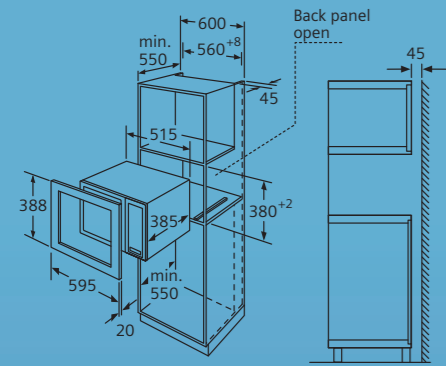
## Microwave oven HF25M5L2B stainless steel

- |  |   |
|--|---|
| Day/night glass and metal fascia         | 1 main function: microwave                        |
| White display with blue indicator lights |   |
| Push buttons                             | 4 automatic cooking programmes                    |
|  | 3 automatic defrost programmes                    |
| Electronic control                       | 3 programmable steps                              |
| Electronic clock                         | 2 memory functions                                |
| Timer                                    |   |
| 1 retractable control dial               | Wire rack   |
| 1 interior light                         |   |
| Stainless steel interior                 | Installation 60 cm wide wall unit or tall housing |
| Left hinged door                         | Oven capacity 21 litres/0.74 cu.ft                |

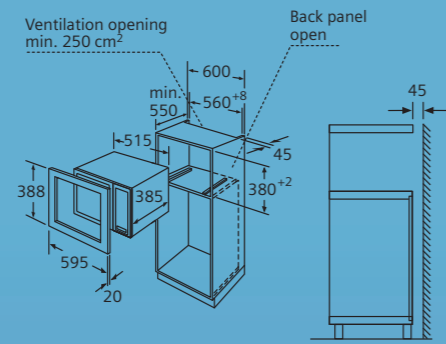
## Also available in black as model HF25M6L2B

• Specification as left

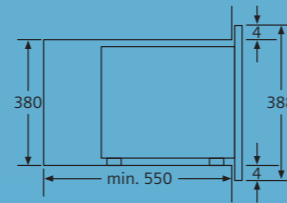
## Microwave oven



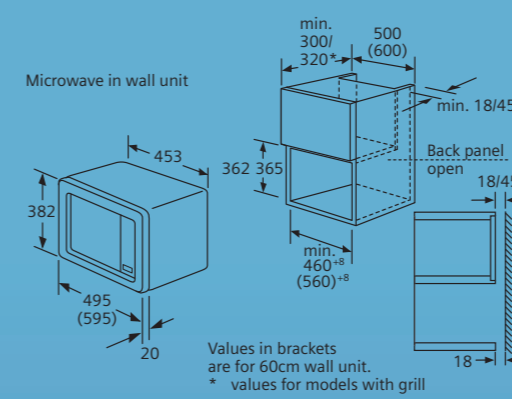
Measurements in mm



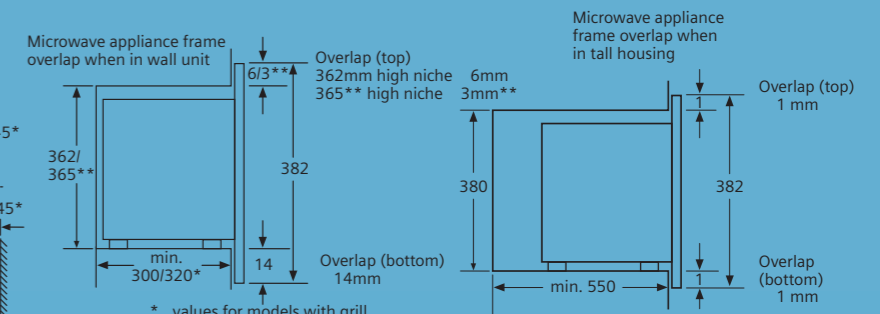
Total connected load 1.45kW



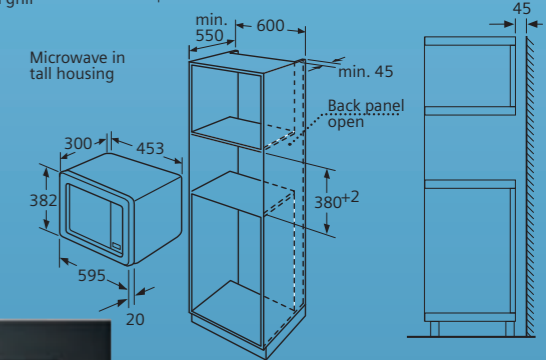
## Microwave ovens



Measurements in mm



Total connected load 1.27kW



### Microwave oven HF24M562B stainless steel

White display	1 main function: microwave
Push buttons	
Electronic control	3 automatic cooking programmes
Electronic clock	4 automatic defrost programmes
Timer	1 memory function
1 retractable control dial	Installation in tall housing
1 interior light	Oven capacity 25 litres/0.88 cu.ft
Stainless steel interior	
Left hinged door	

### Microwave oven HF15M562B stainless steel

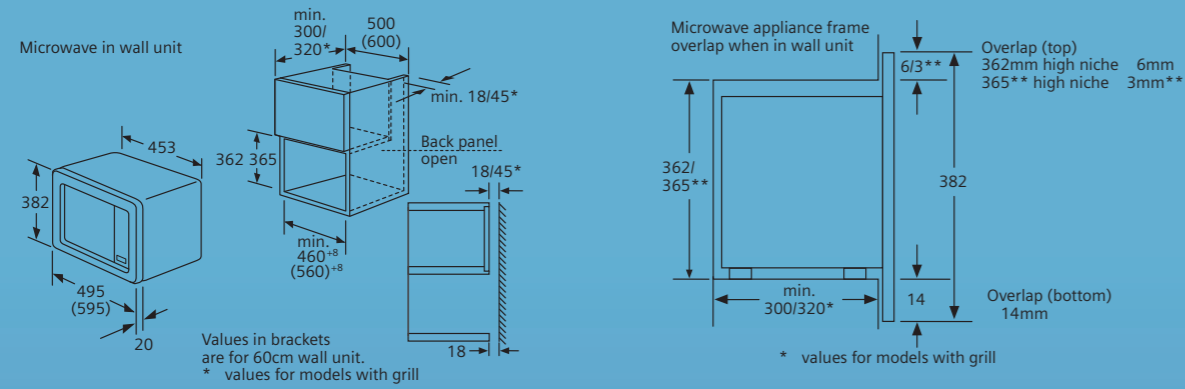
White display	1 main function: microwave
Push buttons	
Electronic control	3 automatic cooking programmes
Electronic clock	4 automatic defrost programmes
Timer	1 memory function
1 retractable control dial	Installation in tall housing
1 interior light	Installation in 60 cm wide wall unit
Stainless steel interior	Oven capacity 17 litres/0.60 cu.ft
Left hinged door	

### Also available in black as model HF15M662B

- Specification as left

The line drawings featured are provided as a guide to general dimensions only and are subject to amendment without prior notice. For full dimensional and installation details, please refer to the documentation supplied with the appliance.

## Microwave ovens



Measurements in mm

Total connected load 1.27kW

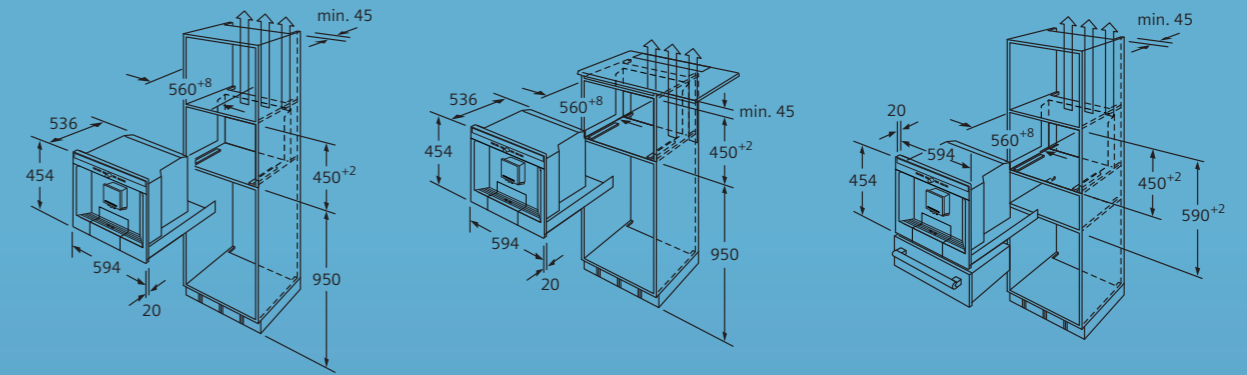


### Microwave oven HF15M552B stainless steel

White display	1 main function: microwave
Push buttons	
Electronic control	3 automatic cooking programmes
Electronic clock	4 automatic defrost programmes
Timer	1 memory function
1 retractable control dial	Installation in tall housing or
1 interior light	Installation 50 cm wide wall unit
Stainless steel	Oven capacity 17 litres/0.60 cu.ft
Left hinged door	

The line drawings featured are provided as a guide to general dimensions only and are subject to amendment without prior notice.  
For full dimensional and installation details, please refer to the documentation supplied with the appliance.

## iQ700 Compact45 automatic coffee centre



Measurements in mm

Total connected load 1.27kW



### Compact45 automatic coffee centre TK76K572GB stainless steel

Automatic bean to cup coffee maker for regular coffee, cappuccino, espresso and café latte

Day/night glass and metal fascia  
Central and illuminated control dial  
**lightControl**  
White display with blue indicator lights  
Push buttons

Electronic control  
Easy to use electronic clear text display  
Container empty warning indicators  
Cleaning/descaling/filter warning indicators

**Senso Flow System**  
**Aroma Pressure System**  
Ceramic coffee grinders  
4 grinding grades  
Cream centre  
Auto valve system  
**One Touch Function** for milk drinks

Single Portion Cleaning  
Cup illumination  
Height adjustable coffee outlet

Bean and ground coffee container  
Separate, insulated milk container  
Removable water tank  
Main on/off switch  
2 coffee grinding processes  
4 coffee with milk processes  
3 coffee strength, serving size and temperature options  
4 hot water temperature options  
Milk foam/frothing function  
Hot milk function  
Automatic or manual access to water/bean containers  
Information button  
4 water hardness settings  
Adjustable automatic switch off setting  
Brita "Intenza" water filter

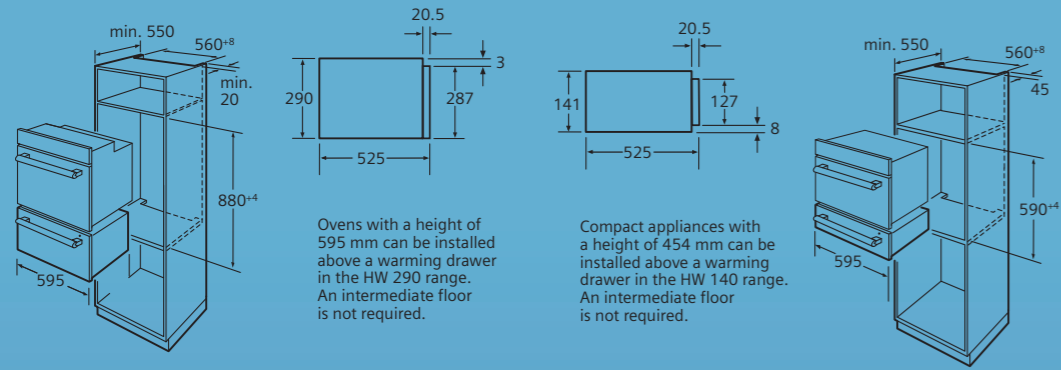
Storage compartments for user manual, measuring spoon and milk tube  
Removable spillage collection tray and used coffee grounds container

Automatic cleaning and de scaling programmes

1000g coffee bean container  
Removable 2.5 litre water tank  
7 bar Aroma pressure system

Includes starter kit with cleaning tablets, descaling tablets, water hardness testing kit and Brita "Intenza" water filter

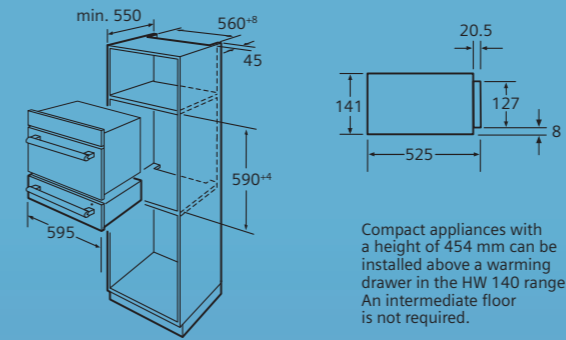
## Warming drawers



Measurements in mm

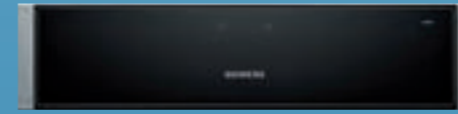
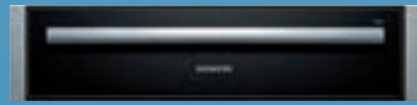
Total connected load 0.81kW

## Warming drawers and accessory drawer



Measurements in mm

Total connected load 0.81kW



### Warming drawer HW290562B stainless steel

29 cm high

Ideal for warming plates or keeping food warm

Stainless steel bar handle

Can accommodate up to:  
40 plates  
120 espresso cups

Adjustable temperature range from 30 80°C

Toughened glass drawer base  
Weight capacity 25 kg

Can be installed with compact45 appliance or with a single oven

Can be installed alone if required

### Also available in stainless steel as model HW140562B

- Specification as left except:
- 14 cm high
- Can accommodate up to:  
12 plates  
80 espresso cups

### Warming drawer HW1405P2B stainless steel

14cm high

Ideal for warming plates or keeping food warm

Handless push pull opening mechanism

Can accommodate up to:  
12 plates  
80 espresso cups

Adjustable temperature range from 30 80°C

Toughened glass drawer base  
Weight capacity 25kg

Can be installed with compact45 appliance or with a single oven

Can be installed alone if required

### Also available in black as model HW1406P2B

- Specification as left except:
- Black side trim

### Accessory drawer HW1405A2 stainless steel

Ideal for storage of oven accessories

Handless push pull opening mechanism

Weight capacity 15kg

Can be installed with compact45 appliance or with single oven

Can be installed alone if required

The line drawings featured are provided as a guide to general dimensions only and are subject to amendment without prior notice. For full dimensional and installation details, please refer to the documentation supplied with the appliance.

# Product specifications for compact appliances



Appliance type	Compact ovens			
	iQ700	iQ700	iQ700	iQ500
<b>Design family</b>				
Stainless steel	HB36P572B	HB86P572B	HB86K572B	HB84K552B
Black		HB86P672B		HB84K652B
<b>Design characteristics</b>				
compact45 appliance <sup>1</sup>	●	●	●	●
Control panel 96mm	●	●	●	●
Day/night glass and metal fascia	●	●	●	●
Central control dial - full metal	●	●	●	
Control dials with metal cap				●
Illuminated control dial	●	●	●	
lightControl	●	●	●	
White display/blue indicator lights	●●	●●	●●	●●
Push buttons/bar handle	●●	●●	●●	●●
Colour co-ordinated handle fixing blocks	●	●	●	●
Seamless fascia and door frame design	●	●	●	●
Flush fitting door	●	●	●	●
<b>Features</b>				
Electronic control	●	●	●	●
Digital clear text display	●	●	●	
Digital temperature display with proposal	●	●	●	
Digital symbol and function display	●	●	●	
Heating up indicator	●	●	●	
Actual temperature display	●	●	●	
Residual heat indicator	●	●	●	
Electronic clock timer	●	●	●	●
Automatic on/off programmer	●	●	●	
Retractable control dials	1	1	1	2
Fast heating up	●	●	●	
Interior lights, halogen	1	1	1	1
Electronic door lock/safety lock/door locking	●/●/●	●/●/●	-/●/-	-/●/-
Automatic safety switch off	●	●	●	●
Moulded enamelled oven interior	●	●	●	●
Number of shelf positions	3	3	3	3
Door glazing	Triple	Triple	Triple	Triple
Heat reflective glass/drop down door	●●	●●	●●	●●
<b>Main functions</b>				
3D hot air cooking	●	●	●	
Intensive hot air	●	●	●	●
Three stage variable grill	●	●	●	●
Dual zone grill	●	●	●	
Hot air grilling	●	●	●	●
Conventional	●	●	●	●
Bottom heat	●	●	●	
hydroBaking	●	●	●	
Intensive conventional heat	●	●	●	
Microwave		●	●	●
Combination operation		●	●	●
Microwave combination - high		●	●	
Microwave combination - low		●	●	
<b>Special settings</b>				
Plate warming/hold warm	●●	●●	●●	-
Low temperature cooking/pyroKlean setting	●●	●●	●/-	-/-
Automatic cooking programmes	15	12	12	5
Automatic defrost programmes		14	14	5
Automatic combination programmes		44	44	10
Programmable steps		3	3	3
Memory function	1	6	6	-
<b>Cleaning</b>				
pyroKlean cleaning	●	●		
Catalytic back liner/roof liner/side liners			●/●/-	●/-/-
<b>Standard accessories</b>				
Full width enamelled pan	1	1	1	1
Wire pan insert/wire shelves	1/1	1/1	1/1	1/-
<b>Technical information</b>				
Installation in tall housing	●	●	●	●
Installation in base unit/under worksurface	●	●	●	●
Cavity dimensions (HxWxD)	mm	221x424x363	221x424x363	221x424x363
Useable oven capacity	litres	35	42	42
Maximum oven temperature	°C	300	300	300
Energy efficiency rating <sup>4</sup>		A		
Efficiency declared on <sup>2</sup>		Conventional		
Energy consumption hot air	kWh	0.83		
Energy consumption conventional	kWh	1.1		
Cavity size classification		Small		
Time to cook standard load <sup>4</sup>	mins	41.5		
Largest baking sheet area in cm <sup>2</sup>		1110		
Microwave inverter technology		●	●	●
Microwave distribution		Stirrer fan	Stirrer fan	Stirrer fan
Maximum microwave power	watts	1000	900	900
Number of microwave power levels		5	5	5
Nominal voltage	volts	220-240	220-240	220-240
Total connected load	watts	3600	3600	3600
Cable length	cm	180	180	180
External cooling fan		●	●	●
Appliance weight	kg	39.7	38.8	36.6
Safety approved		●	●	●

# Product specifications for compact appliances



Appliance type	Microwave combination	Microwaves				
		iQ500	iQ500	iQ500	-	-
<b>Design family</b>						
Stainless steel	HB84E562B	HF35M562B	HF25M5L2B	HF24M562B	HF15M562B	HF15M552B
Black			HF25M6L2B		HF15M662B	
<b>Design characteristics</b>						
compact45 <sup>1</sup>	●	●				
Control panel 96mm	●	●	●			
Day/night glass and metal fascia	●	●	●			
Control dials with metal cap	●	●				
Central control dial			●			
White display	●	●	●	●	●	●
Blue indicator lights	●	●	●			
Push buttons	●	●	●	●	●	●
Bar handle	●	●				
Colour co-ordinated handle fixing blocks	●	●				
Seamless fascia and door frame design	●	●				
Flush fitting door	●	●				
<b>Features</b>						
Electronic control	●	●	●	●	●	●
Electronic clock	●	●	●	●	●	●
Timer	●	●	●	●	●	●
Retractable control dials	2	1	1	1	1	1
Fast heating up	●					
Interior lights			1	1	1	1
Interior lights, halogen	1	1				
Safety lock	●					
Stainless steel interior	●	●	●	●	●	●
Number of shelf positions	4					
Drop down door	●	●				
Left hinged door			●	●	●	●
<b>Main functions</b>						
Hot air cooking	●					
Three stage variable grilling	●					
Dual zone grill	●					
Hot air grilling	●					
Microwave	●	●	●	●	●	●
Combination operation	●					
<b>Special settings</b>						
Automatic cooking programmes		5	4	3	3	3
Automatic defrost programmes	5	4	3	4	4	4
Automatic combination programmes	10					
Programmable steps	3	3	3			
Memory function		2	2	1	1	1
<b>Cleaning</b>						
Catalytic back liner	●					
Catalytic roof liner						
Catalytic side liners						
<b>Standard accessories</b>						
Enamelled pan	1					
Wire rack			1			
Wire shelves	1					
<b>Technical information</b>						
Installation in tall housing	●	●	●	●	●	●
Installation in base unit/under worksurface	●	●				
Installation 60cm wide wall unit			●		●	
Installation 50cm wide wall unit						●
Cavity dimensions (HxWxD)	mm	242x430x345	242x430x345	200x350x270	215x337x354	194x290x274
Useable oven capacity	litres	36	36	21	25	17
Maximum oven temperature °C		250				
Microwave inverter technology		●	●	●		
Microwave distribution		Stirrer	Stirrer	Stirrer	Turntable	Turntable
Turntable diameter	mm				315	245
Maximum microwave power	watts	1000	1000	900	900	800
Number of microwave power levels		5	5	5	5	5
Nominal voltage	volts	220-240	220-240	220-240	220-240	220-240
Total connected load	watts	3240	1220	1220	1450	1270
Cable length	cm	150	150	150	130	130
GB plug		●	●	●	●	●
External cooling fan		●	●	●	●	●
Appliance weight	kg	42.5	16.3	16.2	18.6	16.3
Safety approved		●	●	●	●	●

For the full range of accessories please visit our online accessory shop on [www.siemensappliances.co.uk](http://www.siemensappliances.co.uk) or call our Spares Department on 0844 892 8921

# Product specifications for compact appliances



Appliance type	Steam ovens		
	iQ700	iQ700	iQ500
Design family	HB36D572B	HB26D552B	HB24D552B
Stainless steel			HB24D652B
Black			HB24D652B
<b>Design characteristics</b>			
compact45 appliance <sup>1</sup>	●	●	●
Control panel 96mm	●	●	●
Day/night glass and metal fascia	●	●	●
Central control dial - full metal	●	●	●
Illuminated control dial	●	●	●
Control dials with with metal cap	●	●	●
lightControl	●	●	●
White display/blue indicator lights	●●	●●	●●
Push buttons/bar handle	●●	●●	●●
Colour co-ordinated handle fixing blocks	●	●	●
Seamless fascia and door frame design	●	●	●
Flush fitting door	●	●	●
<b>Features</b>			
Electronic control	●	●	●
Digital clear text display	●	●	●
Digital temperature display with proposal	●	●	●
Digital symbol and function display	●	●	●
Heating up indicator/residual heat indicator	●●	●●	●●
Electronic clock/timer	●●	●●	●●
Retractable control dials	1	1	2
Interior lights		1	1
Interior lights, halogen	1		
Tank empty indicator	●	●	●
Safety lock/automatic safety switch off	●●	●●	●●
Smooth steel oven interior	●	●	●
Removable wire shelf support rails	●	●	●
Number of shelf positions	4	4	4
Full glass inner door	●	●	●
Door glazing	Double	Double	Double
Drop down door	●	●	●
<b>Main functions</b>			
Intensive hot air	●	●	●
Defrosting	●	●	●
Steaming	●	●	●
Hot air and steam combined	●	●	●
Reheating	●	●	●
<b>Special settings</b>			
Dough proving	●	●	●
Low temperature cooking	●	●	●
Hold warm/plate warming	●●	●●	●●
Cleaning programme/descaling programme	●●	●●	—/●
Memory function	●	●	●
Automatic programmes	70	40	20
<b>Standard accessories</b>			
Gastronorm 1/3 perforated tray, 40mm deep	1		
Gastronorm 1/3 solid tray, 40mm deep	1		
Gastronorm 1/3 perforated tray, 40mm deep	1	1	1
Gastronorm 1/3 solid tray, 28mm deep	1		
Gastronorm 1/3 solid tray, 40mm deep		1	1
Wire shelf	1	1	
<b>Technical information</b>			
Installation in tall housing	●	●	●
Installation in base unit/under worksurface	●	●	●
Cavity dimensions (HxWxD)	mm 245x355x400	245x355x400	245x355x400
Useable oven capacity	litres 32	35	35
Hot air/combo temperature range °C	30-230		
Hot air/combo temperature range °C	120-230		
Steam temperature range °C	35-100	35-100	35-100
Energy efficiency rating <sup>4</sup>	A		
Efficiency declared on <sup>5</sup>	Hot air		
Energy consumption hot air	kWh 0.59		
Cavity size classification	Small		
External water tank	●	●	●
Water tank capacity	litres 1.3	1.3	1.3
Steam generation	Inside cavity	Inside cavity	Inside cavity
Nominal voltage	volts 220-240	220-240	220-240
Total connected load	watts 1900	1900	1900
Cable length	cm 180	180	180
GB plug	●	●	●
External cooling fan	●	●	●
Appliance weight	kg 28.7	25.9	23.4
Safety approved	●	●	●

For the full range of accessories please visit our online accessory shop on [www.siemensappliances.co.uk](http://www.siemensappliances.co.uk) or call our Spares Department on 0844 892 8921

# Product specifications for compact appliances



Appliance type	Compact coffee centre	
	iQ700	
Design family	TK76K572GB	
Stainless steel		
<b>Design characteristics</b>		
compact45 <sup>1</sup>	●	
Control panel 96mm	●	
Day/night glass and metal fascia	●	
Central control dial - full metal	●	
Illuminated control dial	●	
lightControl	●	
White display/blue indicator lights	●●	
Push buttons	●	
<b>Features</b>		
Electronic control/electronic display	●●	
Clear text display	●	
Container empty warning indicators	●	
Cleaning/descaling/filter warning indicators	●	
<b>Senso Flow system</b>		
<b>Aroma Pressure system</b>		
Ceramic coffee grinders	●	
Number of grinding grades	4	
Cream centre	●	
Auto valve system	●	
<b>One Touch Function for milk drinks</b>		
Single portion cleaning	●	
Cup illumination	●	
Height adjustable coffee outlet	●	
Bean container/ground coffee container	●●	
Removable insulated milk container/water tank	●●	
Main on/off switch	●	
Number of coffee grinding processes	2	
Number of coffee with milk processes	4	
Coffee strength options	3	
Coffee serving size options	3	
Coffee temperature options	3	
Hot water temperature options	4	
Milk foam/frothing function/hot milk function	●●	
Automatic or manual access to water/bean containers	●	
Information button	●	
Number of water hardness settings	4	
Adjustable automatic switch off setting	●	
Brita "intenza" water filter	●	
Storage compartment for user manual	●	
Storage compartment for measuring spoon	●	
Storage compartment for milk tube	●	
Removable spillage collection tray	●	
Removable used coffee grounds collection container	●	
<b>Beverage selection - single cup</b>		
White coffee	●	
Personalised milk beverage	●	
Milk foam	●	
Hot water	●	
Hot milk	●	
Coffee	●	
Espresso	●	
Cappuccino	●	
Latte Macchiato	●	
<b>Beverage selection - two cups</b>		
Coffee	●	
Espresso	●	
<b>Cleaning</b>		
Cream centre cleaning	●	
Dishwasher proof milk container	●	
Cleaning programme/descaling programme	●●	
Combined cleaning and descaling programme	●	
Milk system rinse setting	●	
<b>Standard accessories</b>		
User instructions	●	
Cleaning tablets/descaling tablets	●●	
Water hardness testing strip	●	
Brita "intenza" water filter	●	
<b>Technical information</b>		
Minimum installation height	mm 950	
Installation in a tall housing	●	
Installation via telescopic chassis	●	
Milk container capacity	litres 0.7	
Cup height	mm 70-150	
Brewing chamber volume	grams 7-11	
Bean container capacity	grams 1000	
Ground coffee container capacity	spoons 2	
Water tank capacity	litres 2.5	
Aroma pressure system brewing pressure	bar 7	
Drip tray capacity	14 servings	
Coffee grounds waste container capacity	14 servings	
Nominal voltage	volts 220-240	
Total connected load	watts 1700	
Cable length	cm 150	
GB plug	●	
Appliance weight	kg 26.7	
Safety approved	●	

Appliance type	Warming drawers			Accessory drawers
	HW290562B	HW140562B	HW1405P2B	
Design family	—	—	—	—
Stainless steel side trim	HW290562B	HW140562B	HW1405P2B	HW1405A2
Black			HW1406P2B	
<b>Design characteristics</b>				
Install independently	●	●	●	●
Install with compact45 appliance	●	●	●	●
Install with a single oven	●	●	●	●
Bar handle	●	●		
Colour co-ordinated handle fixing blocks	●	●		
Push-pull opening mechanism			●	●
<b>Features</b>				
Blue operating indicator light	●	●	●	
Electronic control	●	●	●	
Rotary temperature control dial	●	●	●	
Number of settings	4	4	4	
Maximum temperature °C	80	80	80	
Minimum temperature °C	30	30	30	
Toughened glass drawer base	●	●	●	
Maximum loading (plates)	40	12	12	
Maximum loading (espresso cups)	120	80	80	
Place setting capacity <sup>1</sup>	12 <sup>1</sup>	6 <sup>2</sup>	6 <sup>2</sup>	
Maximum weight capacity	kg 25	25	25	15
<b>Technical information</b>				
Installation in a tall housing	●	●	●	●
Installation under work surface	●	●	●	●
Interior drawer dimensions	224x465x457	95x465x457	95x465x457	108x465x457
Drawer interior volume	litres 52	20	20	23
Nominal voltage	volts 220-240	220-240	220-240	
Total connected load	watts 810	810	810	
Cable length	cm 150	150	150	
GB plug	●	●	●	
Appliance weight	kg 25.2	18.6	18.6	12.4
Safety approved	●	●	●	●

● Yes, model has this feature

<sup>1</sup> Place setting consists of: 12 x 24cm dinner plates; 12 x 10cm soup bowls; 1 x 19cm serving dish; 1 x 17cm serving dish; 2 x 32cm diameter meat plates

<sup>2</sup> Place setting consists of: 6 x 24cm dinner plates; 6 x 10cm soup bowls; 1 x 19cm serving dish; 1 x 17cm serving dish; 1 x 32cm diameter meat plate

<sup>3</sup> Also suitable for side by side installation

<sup>4</sup> According to Norm EN50304

<sup>5</sup> Heating function determining energy efficiency rating

<sup>6</sup> For use if installing appliance directly above another appliance in a tall housing unit, when the front facing edge of the dividing panel is visible

## Accessories

Stainless steel decor strip HZ86X500<sup>6</sup>  
Black decor strip HZ86X600<sup>6</sup>