



Washing machines

Introducing our brand new range of fully co-ordinated appliances. Good looking on their own and fabulous together, they're not labelled **iQ** for nothing!

A new range of energy efficient models reinforces Siemens' claim to have led the way in creating reliable, cleverly designed and quietly efficient washing machines and washer dryers for over 100 years.

A combination of aesthetically pleasing looks with groundbreaking innovation, our machines make washing clothes a chore no longer.

Everything about a Siemens laundry appliance is designed to help you manage the range and complexity of modern textiles with even the smallest details examined and tweaked to give you the ultimate in performance.

One of the major driving forces behind the creation of Siemens' brand new **iQ** range was to offer the customer the ability to achieve seamless design co-ordination between appliances. So the range comes in two distinct variants, **iQ300** and **iQ500**, that cover almost every kitchen appliance we make. With all the pieces designed to combine effortlessly with each other.

iQ 300

The range

Good-looking mid-range appliances equipped with an attractive selection of smart features.

iQ 500

The range

Oozing class and refinement, these machines unite first-class features with top-class technology.

All our laundry appliances offer superb features and benefits.

They all use our unique Siemens digital sensing technology and totalTextile Management system. Their display panels show the progress of the machine through the different programme stages. They have large capacities and can be cold filled. They also sport hydroSafe leak protection and are sound engineered for an extremely quiet operation.



totalTextile Management

Today's models incorporate a host of features to help you manage the range and complexity of modern textiles. We sum it up as totalTextile Management. This means that our sophisticated sensors and programme options enable all washable textiles to be washed, and dried, efficiently, effectively and safely from the very first rinse to the last second of drying. Home laundry has never been so advanced.

Inverse logic

This function gives a faster wash regardless of the programme selected. It is designed to fit with modern living, where lightly soiled clothes are washed more often at lower temperatures.

autoLoad

No half measures here – this sensor determines precisely what load is being washed and adjusts the programme accordingly. So there's no need for a half load button, just select your programme of choice and hit start.

The display panel

The display panel makes using these appliances so simple. The machines show their progress through the different programme stages.



Large drum capacity

The increased drum technology of the 7kg models now provide a huge 55 litres of space, perfect for caring for the larger wash load.



Large porthole door

The large 30cm and 32cm door opening, allows easy loading of the larger 7kg loads.

As you'd expect, our machines take full advantage of the latest in **technology and innovation**.

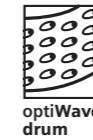
The touch control technology found on the fascia of our new washing machines is a world first for laundry products. Durable and easy to clean, the buttons offer you precision control with just the lightest of touches.



optiWave Drum

The new optiWave drum system features a number of unique innovations that make it highly efficient, gentle and time saving. The extra large stainless steel inner drum sits in a machine that will slide comfortably into a standard under the counter gap, without sticking out. The 55 litre capacity lets you wash bigger loads less frequently, although we recommend no more than 7kgs for crease free perfection. You can even wash bulky items like blankets, bedspreads, duvets, curtains and even those unwieldy down-filled ski jackets.

The groundbreaking paddles have been designed to be asymmetric. The steep edges create powerful forces for heavy duty work, the shallow edges allow your clothes to glide gently around the drum, while the surface of the drum itself has been sculpted into a raindrop pattern that emulates the shape of the paddles to offer even more potent yet gentle treatment.



rainFlow

A two-way water in flow system called rainFlow, allows for rapid soaking, reducing the dry friction within the drum to protect delicate fabrics. This smart water flow system gives a constant flow of up to 4 litres per minute, which reduces soaking time, saves water and improves the distribution of water and in turn the detergent throughout all the clothes. The asymmetric paddles distribute the water and detergent mix around the drum faster for a more effective wash performance using less water and detergent.

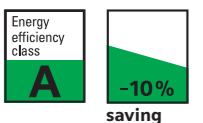


Self cleaning dispenser

The new self-cleaning detergent tray has been completely redesigned. Specially positioned jet-inlet sprays force water into the tray on every wash, rinsing away any left over powder or tablet residue.

Energy efficiency class A

To say that our machines are very economical to use and save on electricity is something of an understatement. All our washing machines boast an energy performance level that is 10% better than the standard for class A. 10% more efficient models use 0.17 kWh/kg below the threshold value of 0.19 kWh/kg compared to the lowest energy value for class A.



Washing clothes shouldn't be a chore. That's why we offer you several **specialist programmes and options** to choose from.

With so many different textiles, colours and designs available in the world of fashion, having programmes to suit your varying wash loads has never been so important. Far from being a chore the new range of wash programmes really does put you in control at the touch of a button.



Ultimate woolCare

Removing the need for hand washing your favourite woollen items. This is a gentle cradle system that treats delicate wool and cashmere with the utmost care throughout both the washing and spin drying process.



Easycare dark

A programme designed for lightly soiled dark laundry. The gentle wash action protects the colours, no "bleeding" and with the special optimised spin cycle, reduces creasing. An extra rinse cycle ensures thorough removal of detergent residue that can cause fading.



Rapid 15 (for 2kg lightly soiled load)

Never again find that your favourite outfit isn't ready to wear. Washed in 15 minutes, this is the perfect quick wash when you're really, really in a rush.



Intensive wash

More intensive wash loads to deal with, simply select the intensive wash option to extend wash times and provide "A" class wash results.

Power wash

5kg washed in 60 minutes, delivering "A" class wash performance.

Outdoor programme designed to protect and preserve all your outdoor clothing

The extended rinse cycles of the outdoor wear programme ensure complete removal of even the most ground in dirt.



Less ironing

Selected, this option changes the spin profile to provide a gentler spin preventing heavy creasing whilst still removing the optimum amount of water for easier drying.



Shirts/Blouses

Work or school, so many of us wear shirts on a daily basis. This dedicated programme designed to wash 7 shirts at a time, has been specifically created to wash with care. Reducing wash agitation and spin to ensure creasing is reduced making the way for easier ironing.



At Siemens, quality, safety and the environment mean a great deal.



Tried and tested

All our washing machines and our washer dryer are 100% tested during production for safety, function and noise. Door hinges and metal door catches are tested to open a minimum of 20,000 times: that's equal to 48 years use – whilst one door was tested for up to 60,000 uses. Furthermore, 98% of all components in our washing machines are recyclable.

hydroSafe

It's comforting to know that most Siemens washing machines are guaranteed to be 100% leak proof. If ever a leak occurs, the sensor shuts down the machine immediately.



Multiple water protection

All our machines are fitted with a supply hose designed to withstand 7 times normal water pressure. They also have overflow prevention in the event of a malfunction of the machine, safe water circulation through the appliance interior and electrical locking on the porthole to prevent it being opened unintentionally.



Stainless steel inner drum

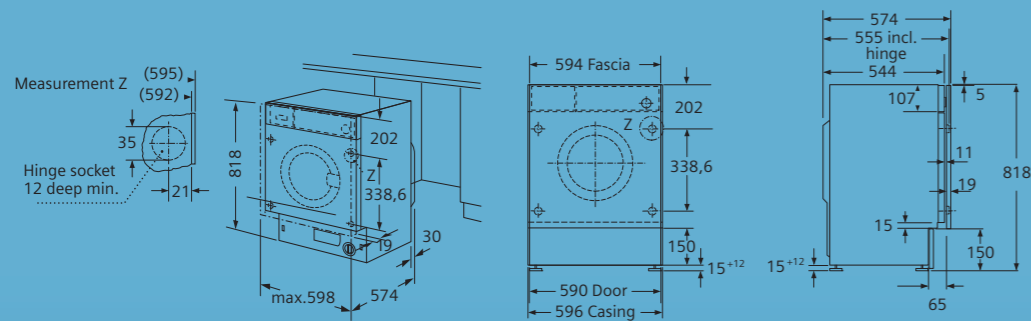
Made from stainless steel the inner drum is securely encased in the outer drum. The outer drum is made of polynox, a material used extensively in the aerospace and automobile industry, where strength and longevity are essential. This special material does not rust and helps to maintain heat within the drum for efficient energy usage.

Energy and water saving

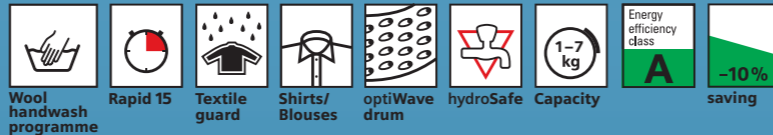
All our washing machines have an energy performance level of 10% better than the standard for class A and precise load recognition technology that will adjust the amount of water needed according to the size of the load. That's why our washing machines use only 7 litres of water per kg of dry laundry. 10% more efficient models use 0.17 kW/kg below the threshold value of 0.19 kW/kg.



iQ300 and iQ500 Fully integrated washing machines



Measurements in mm



Fully integrated washing machine Wi12S140GB – 1200 rpm spin

White with white door
Large 30cm 130° opening door with metal door catch
Programme status indicators
Spin speed indicator lights

Digital sensing technology autoLoad

Dynamic motion control sensor
Anti leak sensor
Hi precision temperature sensor
Continuous water level sensor
Self cleaning detergent drawer

totalTextile Management
15 programmes
Hand wash wool ultimate woolCare system
Delicates/silk programme
Mixed fabric quick wash programme

Extra rinse button
Less ironing button
Prewash button
Intensive button for power boost 'A' wash
Start/pause button
Inverse logic all wash times are up to 40% faster by default
optiWave wash system with cascade

hydroSafe 100% anti leak protection guarantee
Sound engineered
7kg capacity
Cold fill
Spin speed selection 1200 to 400 rpm
End of cycle buzzer
A energy, A wash and B spin class

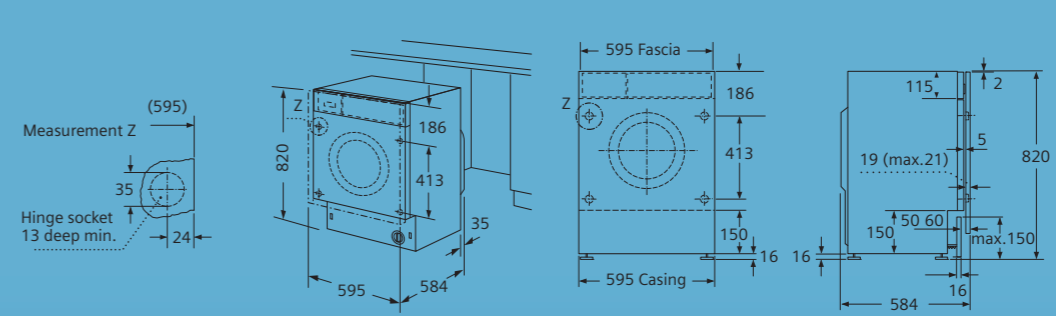
Full height furniture door required

Also available in 1400rpm spin as model Wi14S440GB

- Specification as left but with the following additional features:
- Spin speed selection 1400rpm
- Interactive LED display with variable temperature selection
- Time delay (1 24 hours)
- Remaining time indicator
- Shirt/blouses programme
- Outdoor wear programme
- Mixed fabric 50 minute quick wash programme
- Easy care dark programme
- Rapid 15 minute quick wash programme
- Multi programme prewash
- Spin speed selection 1400 to 400 rpm

The line drawings featured are provided as a guide to general dimensions only and are subject to amendment without prior notice. For full dimensional and installation details, please refer to the documentation supplied with the appliance.

iQ300 Fully integrated washer dryer



Measurements in mm



Fully integrated washer dryer WDi1442GB – 1400 rpm spin

White with white door
Large 30cm 95° opening door with metal door catch
Programme status indicators
Time delay (1 24 hours)
Remaining time indicator

Digital sensing technology autoLoad

Dynamic motion control sensor
Anti leak sensor
Hi precision temperature sensor
Continuous water level sensor

totalTextile Management
15 programmes
Hand wash wool ultimate woolCare system
Mixed fabric 50 minute quick wash programme
Delicates/silk programme
Prewash programme
Short wash button reduces wash time by up to 40%

2 drying levels
Electronic drying time selector
20 120 minutes

hydroSecure
Sound engineered
5kg capacity 2.5kg drying
Cold fill
Spin speed selection 1400 to 600 rpm
End of cycle buzzer
B energy
A wash and B spin class

Full height furniture door required

Product specifications for built-in home laundry



Appliance type	Washing machines	
Design family	IQ300	IQ500
Model number	Wi12S140GB	Wi14S440GB
Built-in/free-standing	Build-under	Build-under
Description		
Door hinge	Left-hand	Left-hand
Colour panel	White	White
Colour cabinet	White	White
Technical data		
Connection rating	watts 2300	2300
Current	amps 13	13
Voltage	volts 220-240	220-240
Frequency	Hz 50	50
Dimensions		
Length electrical supply cord	metres 225.0	225.0
Height with worktop	mm 818	818
Height without worktop / build under	mm 820	820
Dimensions of the product	mm 818 x 600 x 555	818 x 600 x 555
Dimensions of the packed product (HxWxD)	mm 940 x 680 x 710	940 x 680 x 710
Net weight	kg 87.00	85.00
Gross weight	kg 88.00	86.00
Performance		
Energy efficiency class ¹	A	A
Energy consumption	kWh 1.19	1.19
Washing performance class	A	A
Spin drying performance class	B	B
Maximum spin speed	rpm 1200	1400
Capacity cotton	kg 7.0	7.0
Water consumption	litres 49	49
Noise level washing (dB(A) re 1 pW)	dB 54	54
Noise level spinning (dB(A) re 1 pW)	dB 71	73
Total annual water consumption	litres 9800	9800
Total annual energy consumption	kWh 238	238
Moisture content % on dry load after maximum spin ²	53	50
Average washing time cotton 60°C EN 60456 (full load) ³	min 139	139
Energy/water consumption kWh 90°C cotton	kWh/l 2.2/87	2.2/87
Energy/water consumption kWh 40°C coloureds	kWh/l 0.75/75	0.75/75
Energy/water consumption kWh 40°C easy care	kWh/l 0.54/55	0.54/55
Energy/water consumption kWh 30°C delicates	kWh/l 0.2/39	0.2/39
Energy/water consumption kWh 30°C woollens	kWh/l 0.2/47	0.2/47
Special functions		
Spin speed options	Variable	Variable
Button options	Prewash, Extra rinse, Intensive, Spin speed reduction, Less ironing, Start	Prewash, Time delay, Intensive, Spin speed reduction, Temperature selection, Less ironing, Start, Extra rinse
Water protection system	hydroSafe	hydroSafe
Cold wash option		●
Progress Indicator	LED	LED-display
Start delay time max	hrs	24
Half load option	Automatic consumption adjustment	Automatic consumption adjustment
Pre-wash	●	●
Inverse logic	Automatic	Automatic
Wool programme	Machine and handwash	Machine and handwash
Rinse hold	●	●
Delicates/silk	●	●
Easy care dark		●
Shirts/blouses		●
Outdoor wear		●
Powerwash 60		●
Rapid 15		●
Self cleaning detergent drawer	●	●
Specification		
Door opening	130	130
Drum volume	litres 55	55
Cold fill	●	●
Optional accessories	WX975600, WZ10130, WZ20440	WX975600, WZ10130, WZ20440
Programme end indication	Acoustic, LED	LED-display, Acoustic
Loading sensor	●	●
Cottons/coloureds	40°C, 90°C, 30°C, 60°C, 60°C Eco	60°C, 40°C, 30°C, 50°C, 90°C, Cold
Easy-care programme	60°C, 30°C, 40°C	40°C, 30°C, 60°C, 50°C, Cold
Temperature selection	Programme selector	Push button

● Yes, model has this feature

¹ Energy labelling data based on 6kg 60°C cotton cold fill EN60456

² The lower the %, the dryer the fabric

³ Figures are approximate since installation conditions vary

Inlet valve connected directly to 3/4" screwed joint

Water pressure required: 1-10 bars

Flow rate: 8 litres per minute

For the full range of accessories please visit our online accessory shop on www.siemensappliances.co.uk or call our Spares Department on 0844 892 8921

Product specifications for built-in home laundry



Appliance type	Washer dryer	
Design family	IQ300	
Model number	WDI1442GB	
Built-in/free-standing	Full-integrated	
Description		
Colour panel	White	
Colour cabinet	White	
Technical data		
Connection rating	watts 2300	
Current	amps 10	
Voltage	volts 220-240	
Frequency	Hz 50	
Dimensions		
Length electrical supply cord	metres 220.0	
Height with worktop	mm 820	
Height without worktop/build under	mm 820	
Dimensions of the product	mm 820 x 595 x 584	
Dimensions of the packed product (HxWxD)	mm 880 x 660 x 660	
Net weight	kg 83.00	
Gross weight	kg 86.00	
Performance		
Energy efficiency class ¹	B	
Energy consumption (wash and dry of full wash load)	kWh 4.05	
Energy consumption (wash only)	kWh 1.10	
Washing performance class	A	
Maximum spin speed	rpm 1400	
Capacity cotton washing	kg 5.0	
Capacity cotton drying	kg 2.5	
Water consumption (wash and dry full wash load)	litres 95	
Noise level washing (dB(A) re 1 pW)	dB 57	
Noise level spinning (dB(A) re 1 pW)	dB 74	
Noise level drying (93.5%) dB re 1pW	dB 60	
Total annual water consumption (washing and drying 200 full loads)	litres 19000	
Total annual energy consumption (washing and drying 200 full loads)	kWh 810	
Total annual water consumption (washing only 200 full loads)	litres 9800	
Total annual energy consumption (washing only 200 full loads)	kWh 220	
Average washing time cotton 60°C EN 60456 (full load) ²	mins 212	
Special functions		
Spin speed options	Variable	
Button options	Time delay, Open door, Spin speed reduction, Short, Drying, Start	
Water protection system	hydroSecure	
Separate temperature control options	One temperature	
Cold wash option	●	
Drying progress indicator	LED-display	
Start delay time max	hrs 24	
Half load option	Automatic consumption adjustment	
Pre-wash	●	
Quick wash	Time Reduction	
Wool programme	Machine and handwash	
Rinse hold	●	
Delicates/silk	●	
Mixed fabrics	●	
Specification		
Door opening	95	
Drum volume	litres 45	
Cold fill	●	
Control setting for drying	Electronic	
Moisture monitoring system	Time controlled	
Optional accessories	WX975600, WZ10130, WZ20420	

● Yes, model has this feature

¹ Energy labelling data based on 6kg 60°C cotton cold fill EN60456

² Figures are approximate since installation conditions vary

Inlet valve connected directly to 3/4" screwed joint

Water pressure required: 1-10 bars

Flow rate: 8 litres per minute

For the full range of accessories please visit our online accessory shop on www.siemensappliances.co.uk or call our Spares Department on 0844 892 8921